

Hustler Super Z CE Parts Manual (2016)

General Information	1
Frame & Engine Guard	
Frame	3-1
Engine Guard	3-2
Hydraulic & Steering	
Hydraulic System	4-1
Hydraulic Reservoir	4-2
Motor Assembly	4-3
LS Pump Assembly	4-4
RS Pump Assembly	4-5
Oil Cooler Mount	4-6
Pump Drive	4-7
Steering	4-8
Steering Assembly (Multi-Page)	4-9
LS Steering Box Assembly	4-10
RS Steering Box Assembly	4-11
Brake	4-12
Wheels & Tires	
Wheel & Tire	5-1
Front Wheel Assembly	5-2
Drive Wheel Breakdown	5-3
Engine & Fuel Tank	
Engine (Multi-Page)	6-1
Engine Service Parts	6-2
Fuel System	6-3
Fuel Tank Service Parts	6-4
Electrical	
Battery	7-1
Instrument Panel	7-2
Deck	
Side Discharge Service Deck	8-1
Side Discharge Deck Pulleys & Spindles	8-2
Side Discharge Deck	8-3
Rear Discharge Service Deck	8-4
Rear Discharge Deck Pulleys & Spindles (Multi-Page)	8-5
Rear Discharge Dust Shield	8-6
Rear Discharge Deck (Multi-Page)	8-7
Deck Lift & Mounting Hardware (Multi-Page)	8-8
Seat & ROPS	
Seat	9-1
Seat Service Parts, Grammer	9-2
ROPS	9-3
Appendice AIndice pagine	A
Appendice BIndice parti	B

General Information

Note: When ordering parts, you must use the part number as shown for each part, not the index number. Always give the model and serial number to your parts and service representative.

Note: Items sold in bulk such as seals and hoses are sold by the foot.

Using This Manual

This manual is part of a service package for the Hustler® mowers. Use of this manual in conjunction with other Hustler® mower and component manuals will provide the information necessary to service and maintain Hustler® mowers.

This Parts Manual provides a complete parts listing for the unit. Use this manual when ordering parts. Illustrations used were current at the time of printing, but subsequent production changes may cause your machine to vary slightly in detail. Excel Industries, Inc. reserves the right to redesign and change the machine as deemed necessary, without notification. If a change has been made to your machine which is not reflected in this parts manual, see your authorized dealer for current information and parts.

The Service Manual is a service guide for use by Service Technicians. It provides the necessary information needed to perform normal maintenance requirements on these units.

The Operator's Manual provides fundamental operational information and operational safety that is needed when operating the mower.

The component manuals are furnished by the various manufacturers to be used for the troubleshooting and servicing of their products.

Hardware Description Codes & Abbreviations

The following codes are used throughout this parts manual. Refer to this list when ordering parts.

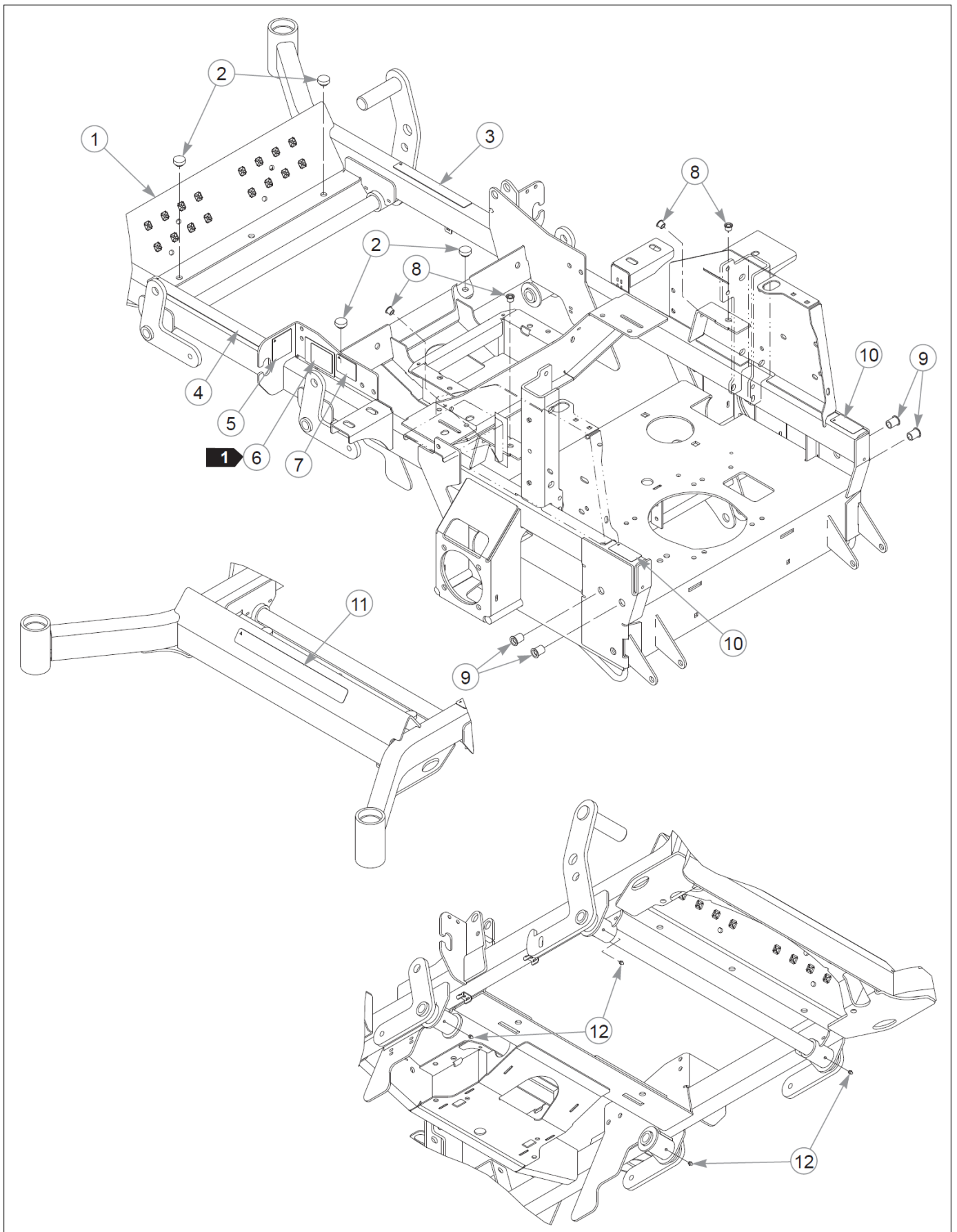
ABBREVIATION	DESCRIPTION	ABBREVIATION	DESCRIPTION
CB	CARRIAGE BOLT	MB	MACHINE BUSHING
CE	CLEVIS PIN	MS	MACHINE SCREW
CN	CLIP NUT	NT	NUT
CP	COTTER PIN	SC	SELF TAPPING CAP SCREW
CS	CAP SCREW	SH	SOCKET HEAD
CW	CUP WASHER	SB	SHOULDER BOLT
FDRW	FENDER WASHER	SS	SET SCREW
FW	FLAT WASHER	OD	OUTSIDE DIAMETER
HX	HEX HEAD	ID	INSIDE DIAMETER
LW	LOCK WASHER	WN	WELD NUT

Standard Torques

The following chart lists the standard torque values for the threaded fasteners found in this manual. Torque all cap screws, nuts and set screws to these values unless a different torque is shown in the Notes section next to the fastener.

SIZE	FT-LBS	N•M	SIZE	FT-LBS	N•M
.250	8.2	11.1	M3	1	1.3
.312	17	23	M4	2.2	3
.375	30	40	M5	4.5	6.1
.438	48	65	M6	7.7	10.4
.500	73	99	M8	18.5	25
.562	105	143	M10	37	50
.625	145	200	M12	64	87
.750	260	350	M14	80	108.5
.875	420	565	M16	160	215
1.00	625	850	M20	320	435
			M24	555	750

Frame & Engine Guard



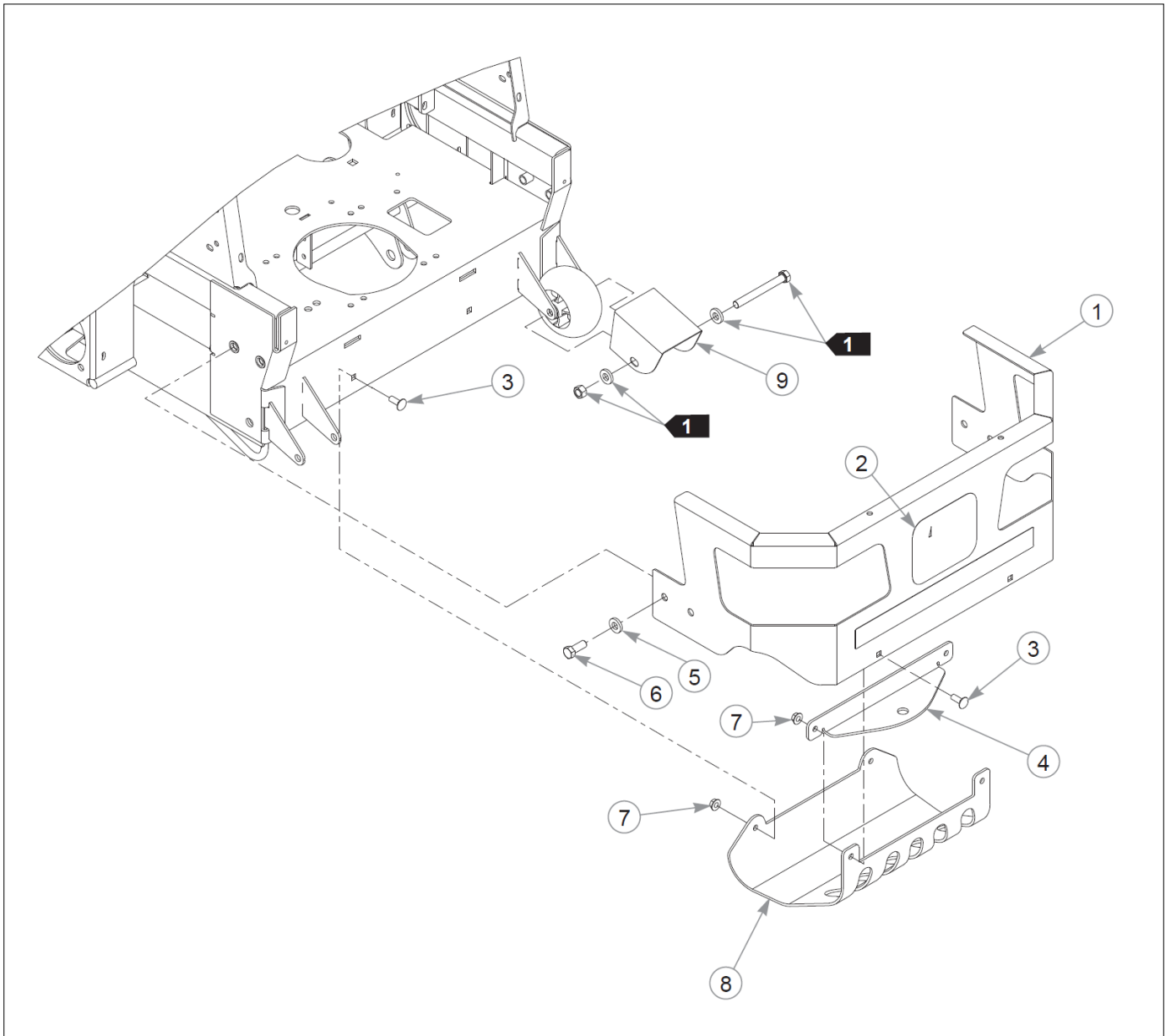
Elemento	Parte n.	Nome	Q.ta	Udm
1	553360	SERVICE FRAME	1	EA
2	781880	BUMPER, .500x 1.00x .31	4	EA
3	781427CE	DECK HEIGHT INDICATOR DECAL	1	EA
4	601993	DECAL, SAFE OPERATION	1	EA
5	789776CE	DBA LIMIT DECAL	1	EA
6	N/A	SERIAL NO. / SPEC DECAL	1	EA
7	776310	DECAL, CE MARK	1	EA
8	808493	RIVET NUT, 3/8-16 THREA	4	EA
9	600961	RIVET NUT, 1/2-13 THREAD	4	EA
10	602041	DECAL, HOT	2	EA
11	602407	DECAL, HUSTLER ID	1	EA
12	015495	GREASE FITTING STRAIGHT	4	EA

Comments for Page: Frame

jmumford@excelii.com on Feb 16, 2017

1. Serial number decal. In the event the serial number decal becomes damaged or illegible, please contact your dealer to order a replacement.

Frame & Engine Guard



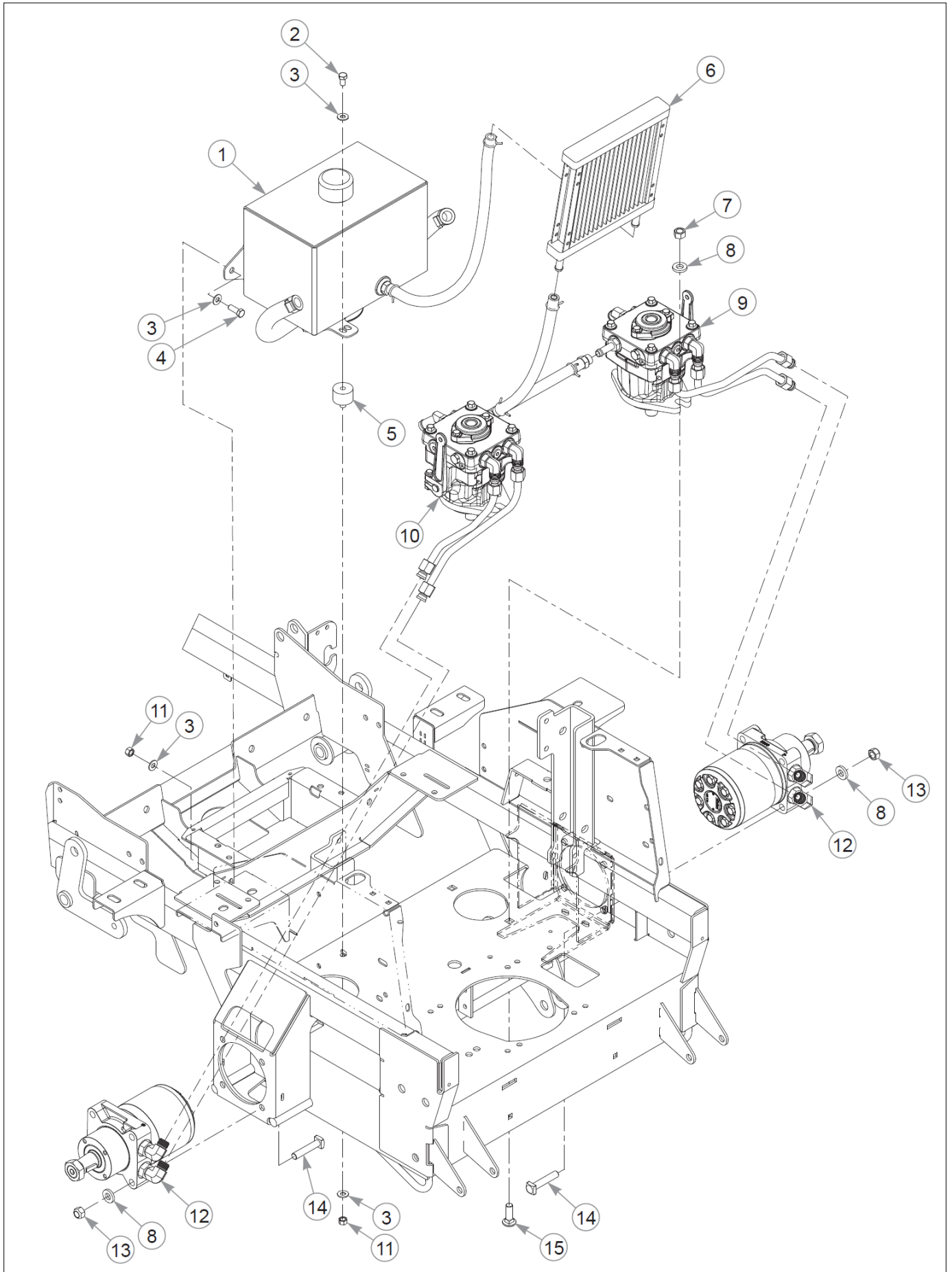
Elemento	Parte n.	Nome	Q.ta	Udm
1	553457	SVC, BUMPER WITH DECAL	1	EA
2	604352	DECAL, H LOGO	1	EA
3	025395	CB .375-16X 1.00 G5 ZNY	4	EA
4	124385-1	HITCH	1	EA
5	767962	FW .531 x 1.063 x .175	4	EA
6	705954	CS .500-13X1.250HSG5	4	EA
7	016899	NT .375-16 FLKG5	4	EA
8	121403	MUFFLER GUARD	1	EA
9	377994	HEAT SHIELD, MMZ ROLLER	2	EA

Comments for Page: Engine Guard

jmumford@excelii.com on Dec 21, 2015

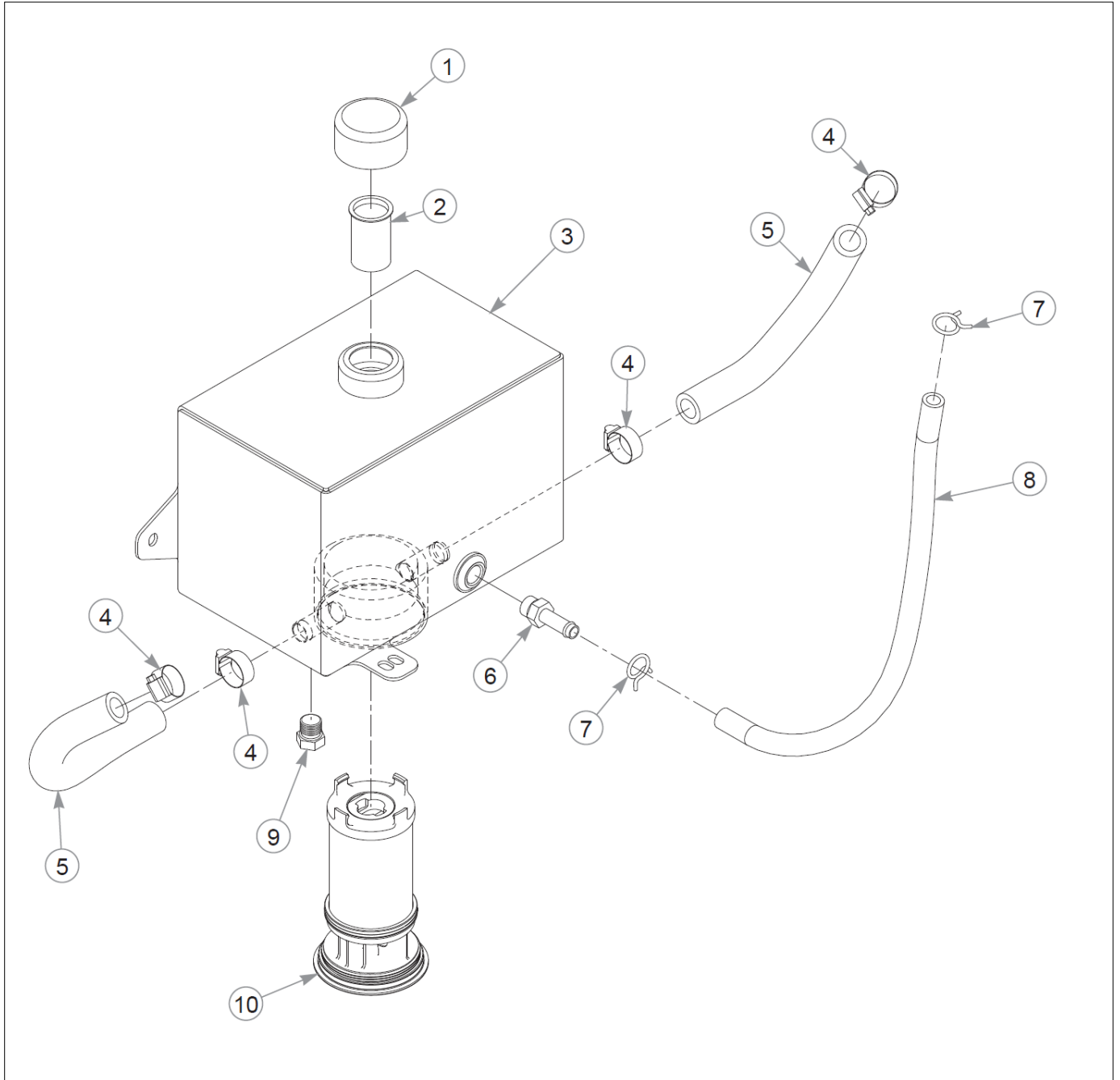
1. Part of the Wheel & Tire assembly.
2. The bumper includes the decal.

Hydraulic & Steering



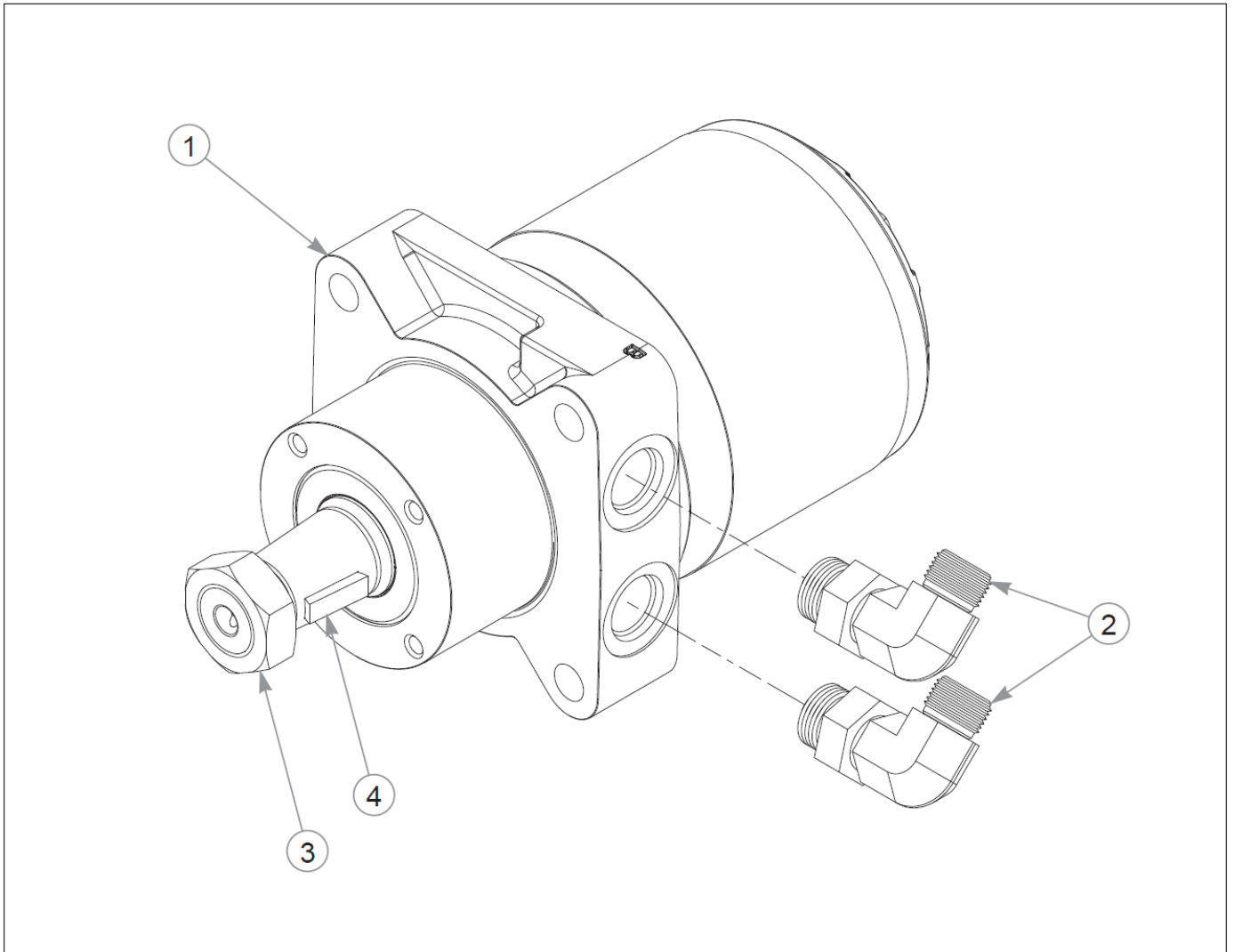
Elemento	Parte n.	Nome	Q.ta	Udm
1	N/A	RESERVOIR ASSEMBLY	1	EA
2	056069	CS .375-16X0.625HXG5	1	EA
3	767954	FW 0.379 x 0.813 x 0.063	6	EA
4	036244	CS .375-16X1.000HXG5	2	EA
5	601571	VIBRATION MOUNT	1	EA
6	601356	OIL COOLER, 8" FAN ALUM	1	EA
7	008193	NT .500-13HXG5	4	EA
8	767962	FW .531 x 1.063 x .175	12	EA
9	N/A	RS PUMP ASSEMBLY	1	EA
10	N/A	LS PUMP ASSEMBLY	1	EA
11	054502	NT .375-16HXG5	3	EA
12	N/A	MOTOR ASSEMBLY	2	EA
13	023317	NT .500-13UNTG8	8	EA
14	602256	CS .500-13X2.500 SQ G5	8	EA
15	028274	CB .500-13X 1.500 FULL	4	EA

Hydraulic & Steering



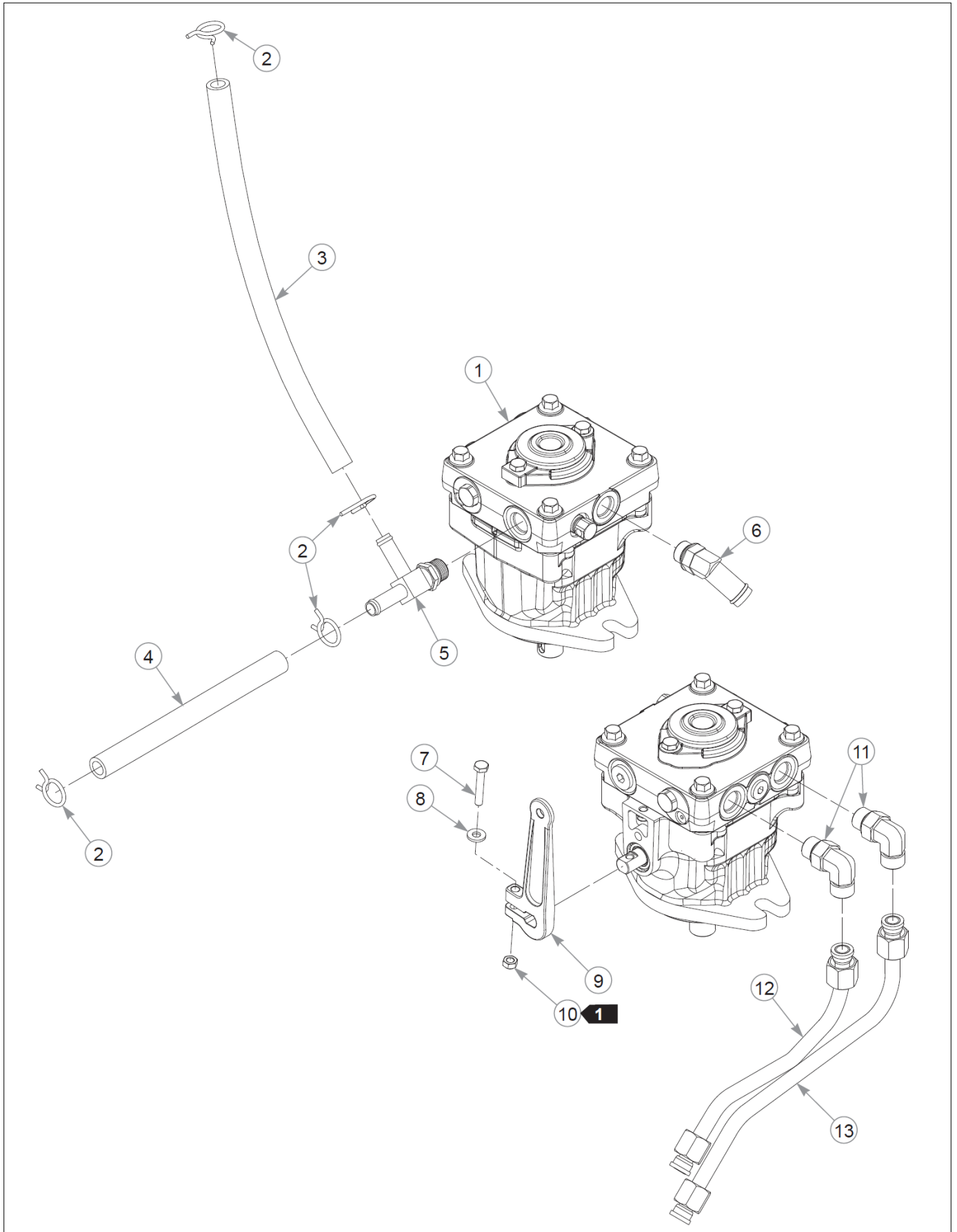
Elemento	Parte n.	Nome	Q.ta	Udm
1	032763	CAP, BREATHER	1	EA
2	032771	STRAINER	1	EA
3	606088	RESEVOIR, HYDRAULIC	1	EA
4	700484	CLAMP, HOSE (FS)	4	EA
5	603045	HOSE, PUMP SUCTION	2	EA
6	601523	FTG, -8MORB/-8BT STR	1	EA
7	601001	SPRING CLAMP, .75" DIA	2	EA
8	603819	HOSE ASSY, COOLER-TANK	1	EA
9	781658	FTG, -8MORB/HEX PLUG	1	EA
10	602768X	FILTER, HYD SUCTION	1	EA

Hydraulic & Steering



Elemento	Parte n.	Nome	Q.ta	Udm
1	606089	MOTOR, TG0310 HOS	1	EA
2	781526	FTG, 90°-10MORB/-8MORFS	2	EA
3	065516	ROSS CASTLE NUT	1	EA
4	064337	ROSS WOODRUFF KEY	1	EA
5	748806	ROSS VITON SEAL KIT	1	EA

Hydraulic & Steering



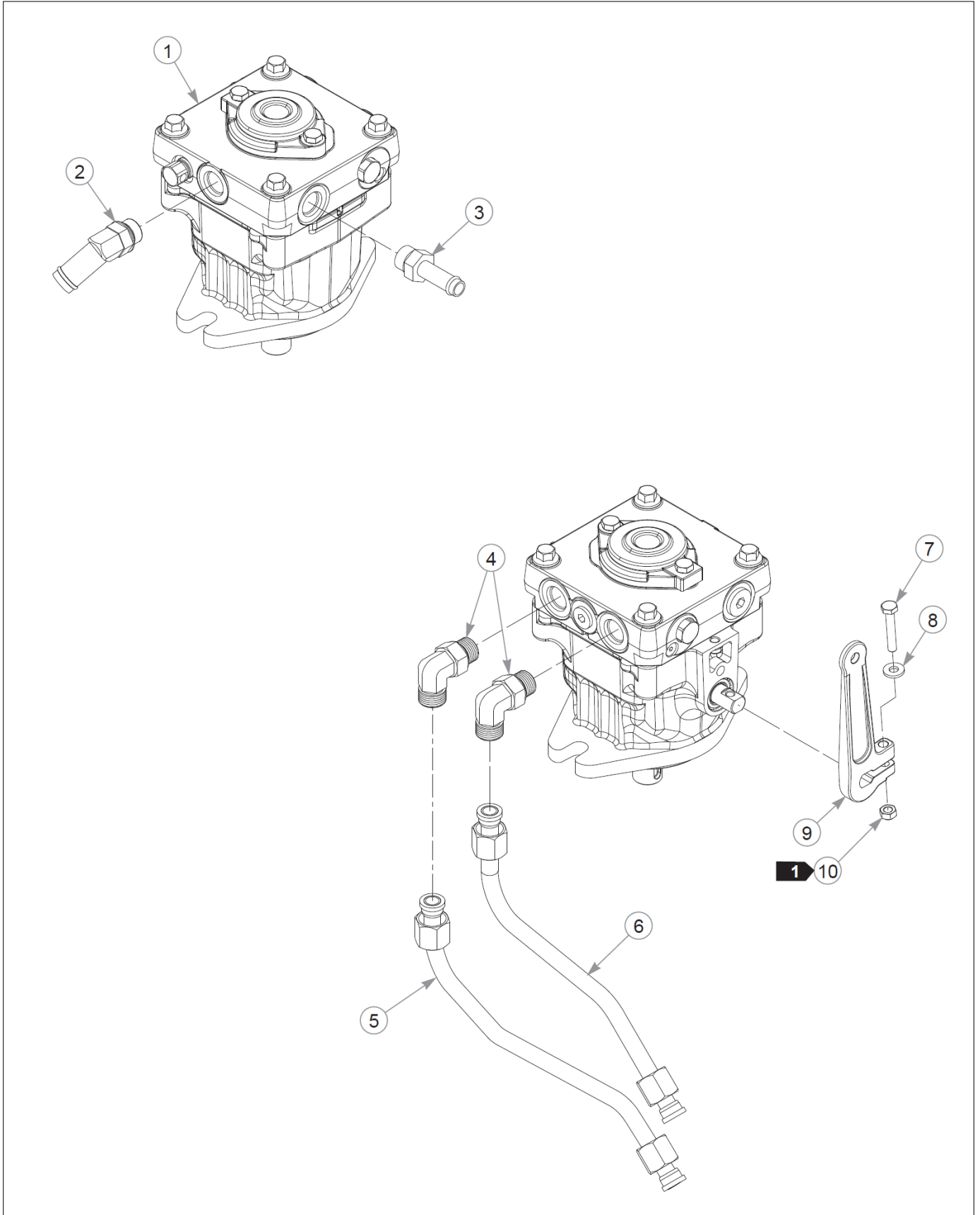
Elemento	Parte n.	Nome	Q.ta	Udm
1	605759	PUMP, H-G PW W/ HOS-LS	1	EA
2	601001	SPRING CLAMP, .75" DIA	4	EA
3	606102	HOSE, PUMP DRAIN	1	EA
4	606101	HOSE, PUMP DRAIN	1	EA
5	606100	FTG, T -8 MORB/BT/BT	1	EA
6	744854	O-RING TUBE ADAPTER 45	1	EA
7	008581	CS .250-20X1.500HXG5	1	EA
8	768515	FW 0.281SAE	1	EA
9	604831	PUMP ARM, SZ	1	EA
10	068551	NT .250-20 HXZY NL	1	EA
11	781542	FTG, 90°-8MORB/-8MORFS	2	EA
12	604334	TUBE, LP-TM LT LOOP	1	EA
13	604335	TUBE, RP-BM LT LOOP	1	EA
14	784983	SEAL KIT, PW PUMPS	1	EA

Comments for Page: LS Pump Assembly

jmumford@excelii.com on Feb 16, 2017

1. Torque to 11 N•m.

Hydraulic & Steering



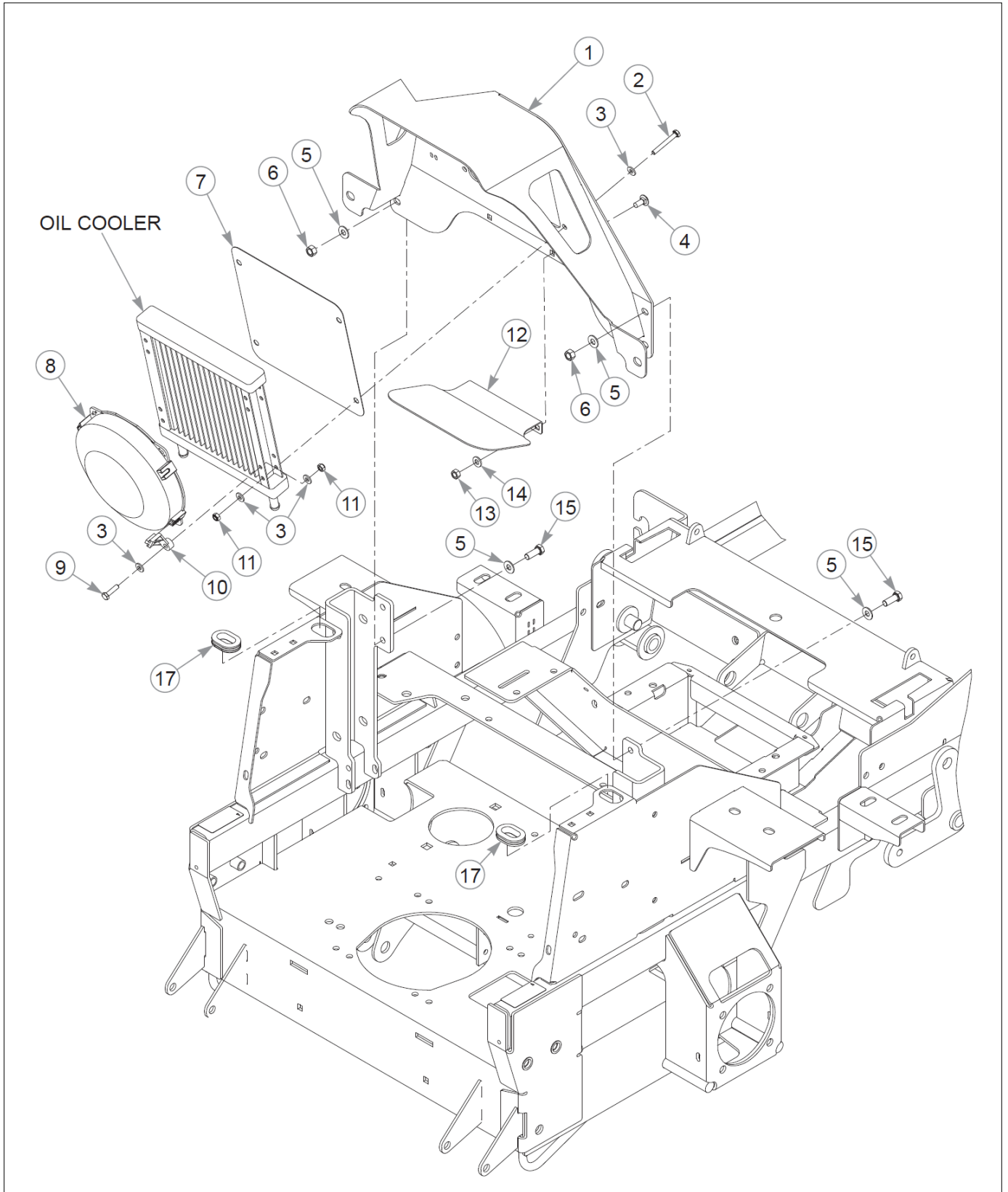
Elemento	Parte n.	Nome	Q.ta	Udm
1	605760	PUMP, H-G PW W/ HOS-RS	1	EA
2	744854	O-RING TUBE ADAPTER 45	1	EA
3	601523	FTG, -8MORB/-8BT STR	1	EA
4	781542	FTG, 90°-8MORB/-8MORFS	2	EA
5	604333	TUBE, LP-TM RT LOOP	1	EA
6	604332	TUBE, RP-BM RT LOOP	1	EA
7	008581	CS .250-20X1.500HXG5	1	EA
8	768515	FW 0.281SAE	1	EA
9	604831	PUMP ARM, SZ	1	EA
10	068551	NT .250-20 HXZY NL	1	EA
11	784983	SEAL KIT, PW PUMPS	1	EA

Comments for Page: RS Pump Assembly

jmumford@excelii.com on Feb 16, 2017

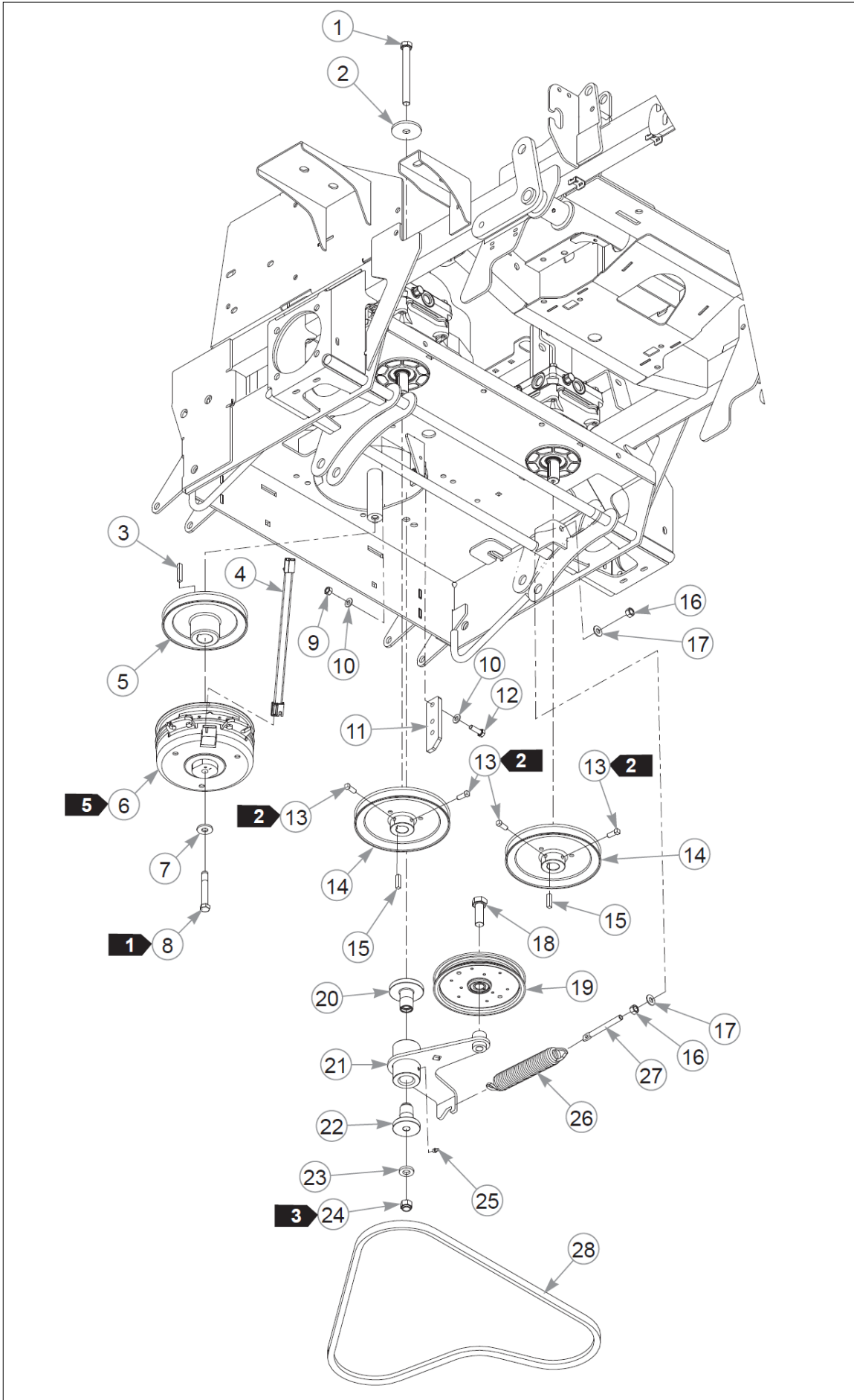
1. Torque to 11 N•m.

Hydraulic & Steering



Elemento	Parte n.	Nome	Q.ta	Udm
1	117196	W/A, OIL COOLER MOUNT	1	EA
2	704163	CS .250-20X2.000HXG5	4	EA
3	768515	FW 0.281SAE	16	EA
4	016253	CB .312-18X .750 FUL ZN	2	EA
5	767954	FW 0.379 x 0.813 x 0.063	8	EA
6	054502	NT .375-16HXG5	4	EA
7	109401	SCREEN, OIL COOLER	1	EA
8	601357	FAN, ELECTRIC 8" 12VDC	1	EA
9	056077	CS .250-20X1.000HXG5	4	EA
10	601538	FOOT, ELECTRIC FAN	4	EA
11	068551	NT .250-20 HXZY NL	8	EA
12	123687-3	AIR DEFLECTOR	1	EA
13	034272	NT .312-18HXG5	2	EA
14	768523	FW 0.343SAE	2	EA
15	036244	CS .375-16X1.000HXG5	4	EA
16	000430	WIRE TIE, SMALL/LONG	5	EA
17	706531	GM 1.12X1.75X1.37X.12	2	EA

Hydraulic & Steering



Elemento	Parte n.	Nome	Q.ta	Udm
1	051151	CS .500-13X5.000HXG5	1	EA
2	344267	FW .510X 2.15X.187 SPL	1	EA
3	212076	KEY 1/4 SQ X 1.50 LG(FS)	1	EA
4	791251	HARNESS, CLUTCH PIGTAIL	1	EA
<p>Commenti per num parte 791251</p> <p>brian on Aug 28, 2015</p> <p>Pigtail was updated with epoxy to hold the wires steady. The wire sheath was also updated to a more flexible material.</p>				
5	603734	PULLEY 6.67 OPX1.125SHFT	1	EA
6	603336K	CLUTCH KIT, CMS250	1	EA
7	602680	FW .453X 1.12X .119 HRD	1	EA
8	785048	CS .437-20X3.00 HXG5 P85	1	EA
9	034272	NT .312-18HXG5	2	EA
10	768523	FW 0.343SAE	4	EA
11	113347	CLUTCH ANCHOR	1	EA
12	036236	CS .312-18X1.000HXG5	2	EA
13	083196	SS .312-18X0.750SQ	4	EA
14	602754	PULLEY 7.35 OPx0.875SHFT	2	EA
15	210146	KEY 1/4 SQ X 1.12 LONG	2	EA
16	054502	NT .375-16HXG5	2	EA
17	767954	FW 0.379 x 0.813 x 0.063	2	EA
18	025007	CS .62511X1.750HXG5	1	EA
19	603783	PULLEY, 6" FLAT IDLER	1	EA
20	602880	BUSHING, IDLER PIVOT	1	EA
21	115536	TENSIONER	1	EA
22	602879	BUSHING, IDLER PIVOT	1	EA
23	767962	FW .531 x 1.063 x .175	1	EA
24	781567	NT .500-13NLG5	1	EA
25	015495	GREASE FITTING STRAIGHT	1	EA
26	601016	IDLER SPRING	1	EA
27	601486	EB, .375-16X3.00 FULTHD	1	EA

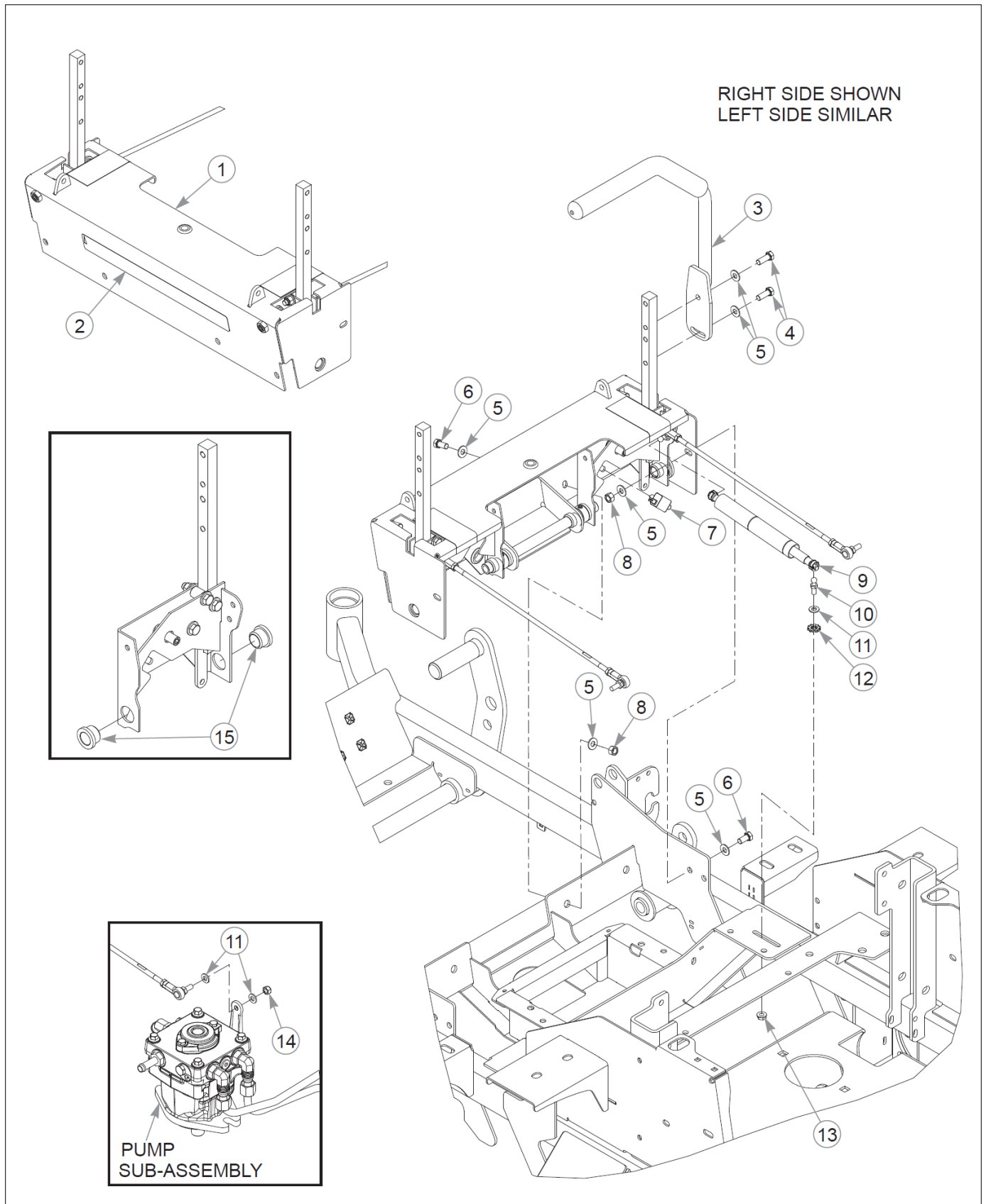
Elemento	Parte n.	Nome	Q.ta	Udm
28	604208	BELT, 64.86" EL	1	EA
<p>Commenti per num parte 604208</p> <p>brian on Aug 20, 2015</p> <p>Belt design was a COG belt but has been changed to a smooth V-belt.</p>				

Comments for Page: Pump Drive

jmumford@excelii.com on Feb 16, 2017

1. Torque to 61–65 N•m. Replace (do not reuse) the cap screw if it is removed or loosened. Use only hand tools to install this fastener.
2. Torque to 16–20 N•m.
3. Torque to 96–102 N•m. The tensioner should pivot freely.

Hydraulic & Steering



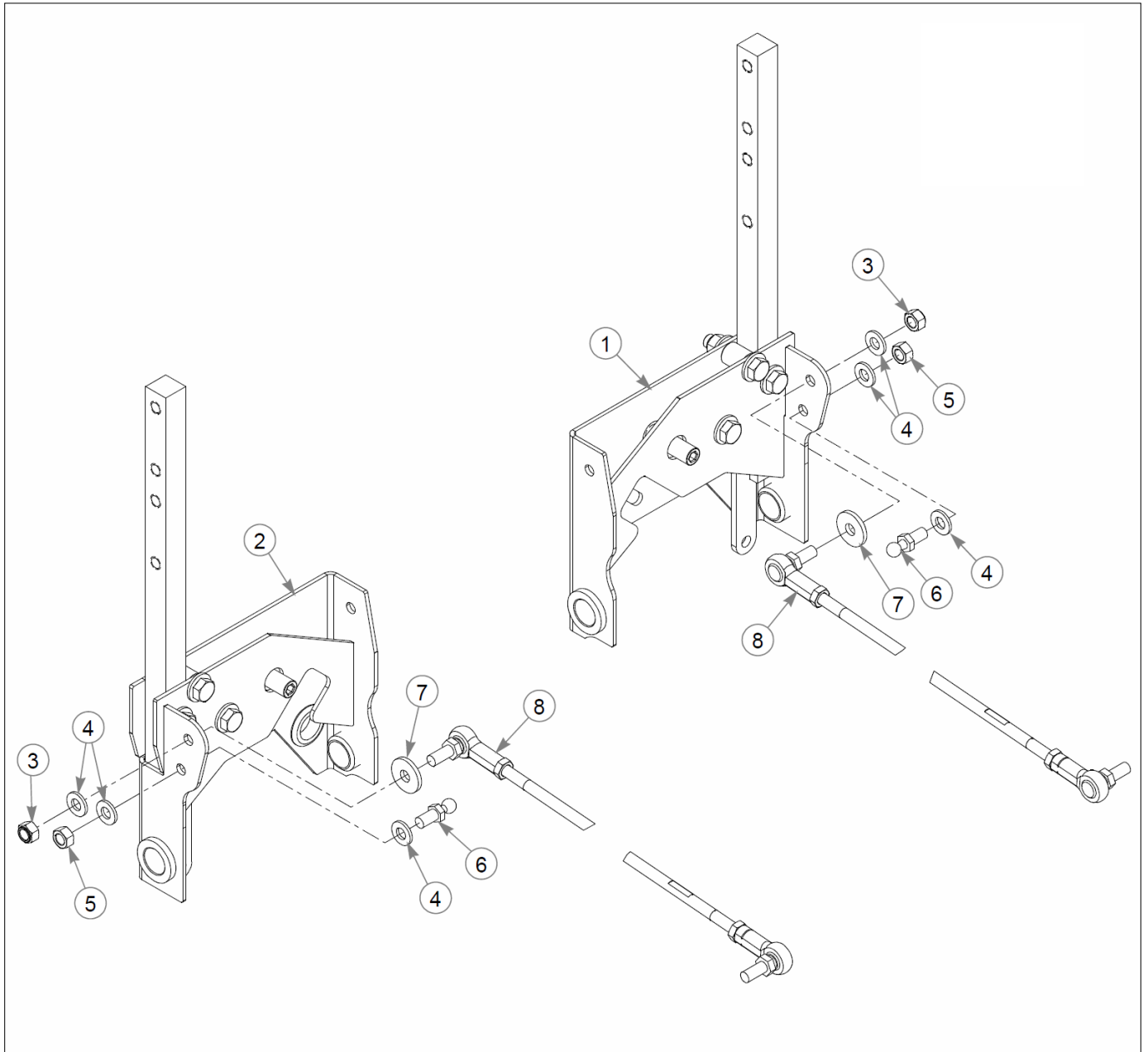
Elemento	Parte n.	Nome	Q.ta	Udm
1	N/A	STEERING COVER, S/A	1	EA
2	605670	DECAL, SUPER Z ID	1	EA
3	109839	HANDLE, Z W/A	2	EA
Not Shown	781260	GRIP, STEERING BAR	2	EA
4	036244	CS .375-16X1.000HXG5	4	EA
5	767954	FW 0.379 x 0.813 x 0.063	12	EA
6	055822	CS .375-16X0.750HXG5	4	EA
7	601087	SWITCH, PLUNGER N.O.	2	EA
8	054502	NT .375-16HXG5	4	EA
9	795351	DAMPER, CENTERING	2	EA
10	781922	BALL STUD, DAMPER	2	EA
11	768523	FW 0.343SAE	6	EA
12	029876	LW 0.312 INT-EXT	2	EA
13	016832	NT .312-18FLKG5	2	EA
14	023655	NT .312-24NLG5	2	EA
15	781153	BUSHING, UHMW	4	EA

Comments for Page: Steering

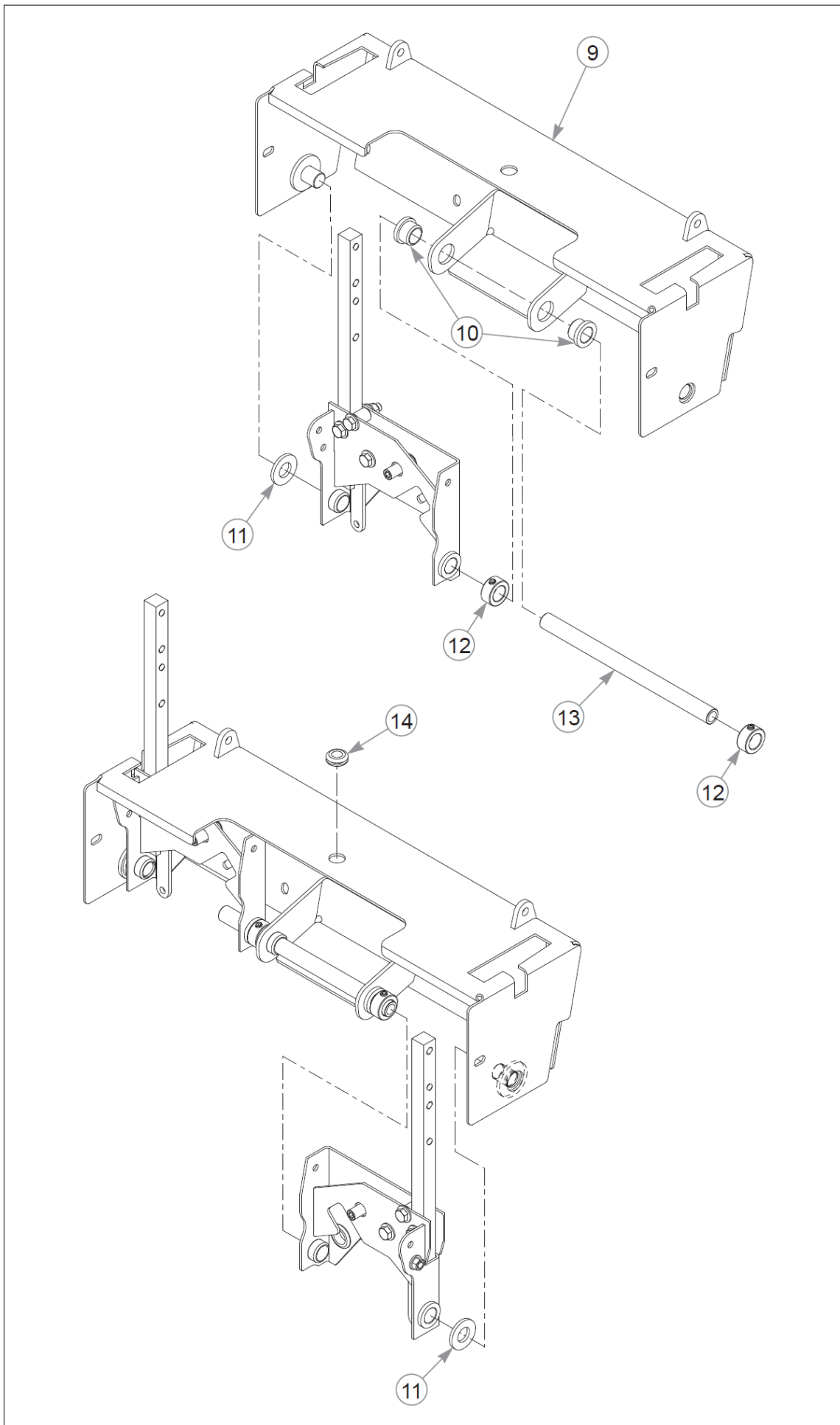
jmumford@excelii.com on Dec 21, 2015

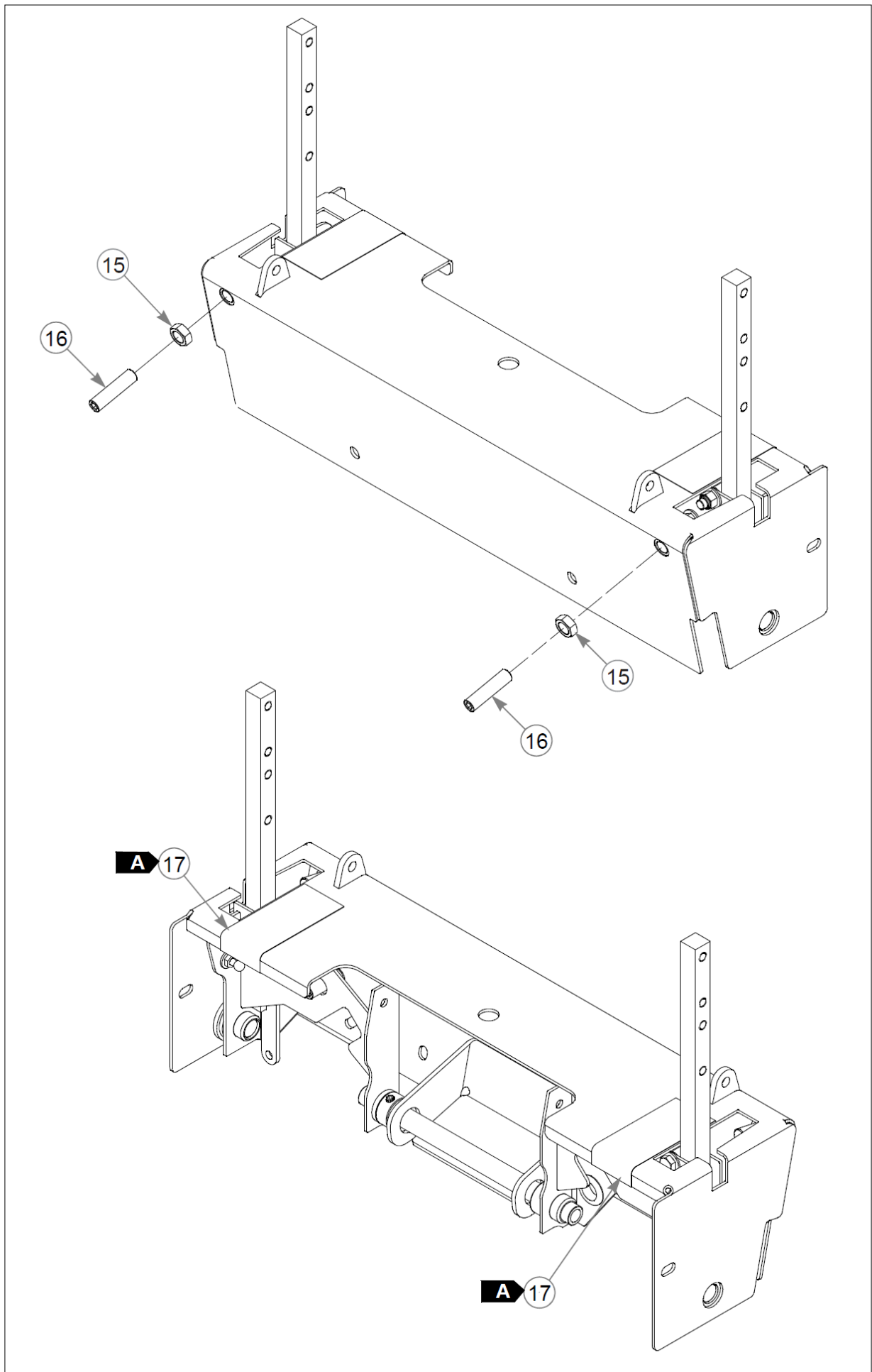
1. The handle includes the grip.

Hydraulic & Steering



Elemento	Parte n.	Nome	Q.ta	Udm
1	604295	STEERING BOX SUB, RH	1	EA
2	604296	STEERING BOX SUB, LH	1	EA
3	023655	NT .312-24NLG5	2	EA
4	768523	FW 0.343SAE	6	EA
5	034272	NT .312-18HXG5	2	EA
6	781922	BALL STUD, DAMPER	2	EA
7	712927	FW 0.344X1.000X0.120HD	2	EA
8	781286	PUMP ROD ADJUSTER ASSY	2	EA
9	112895	STEERING COVER W/A, SZ	1	EA
10	781153	BUSHING, UHMW	2	EA
11	603078	FW .750x 1.500x .156 ZN	2	EA
12	784439	LOCK COLLAR,0.757 ID(FS)	2	EA
13	113007	STEER PIVOT TUBE, SZ	1	EA
14	080358	GM .50X1.00X.75X.12	1	EA
15	053199	NT .500-13JAMG5	2	EA
16	797738	SS .500-13X2.000SH	2	EA
17	722199	POLYURETHANE 2" (FS)	11"	FT





Comments for Page: Steering Assembly (Multi-Page)

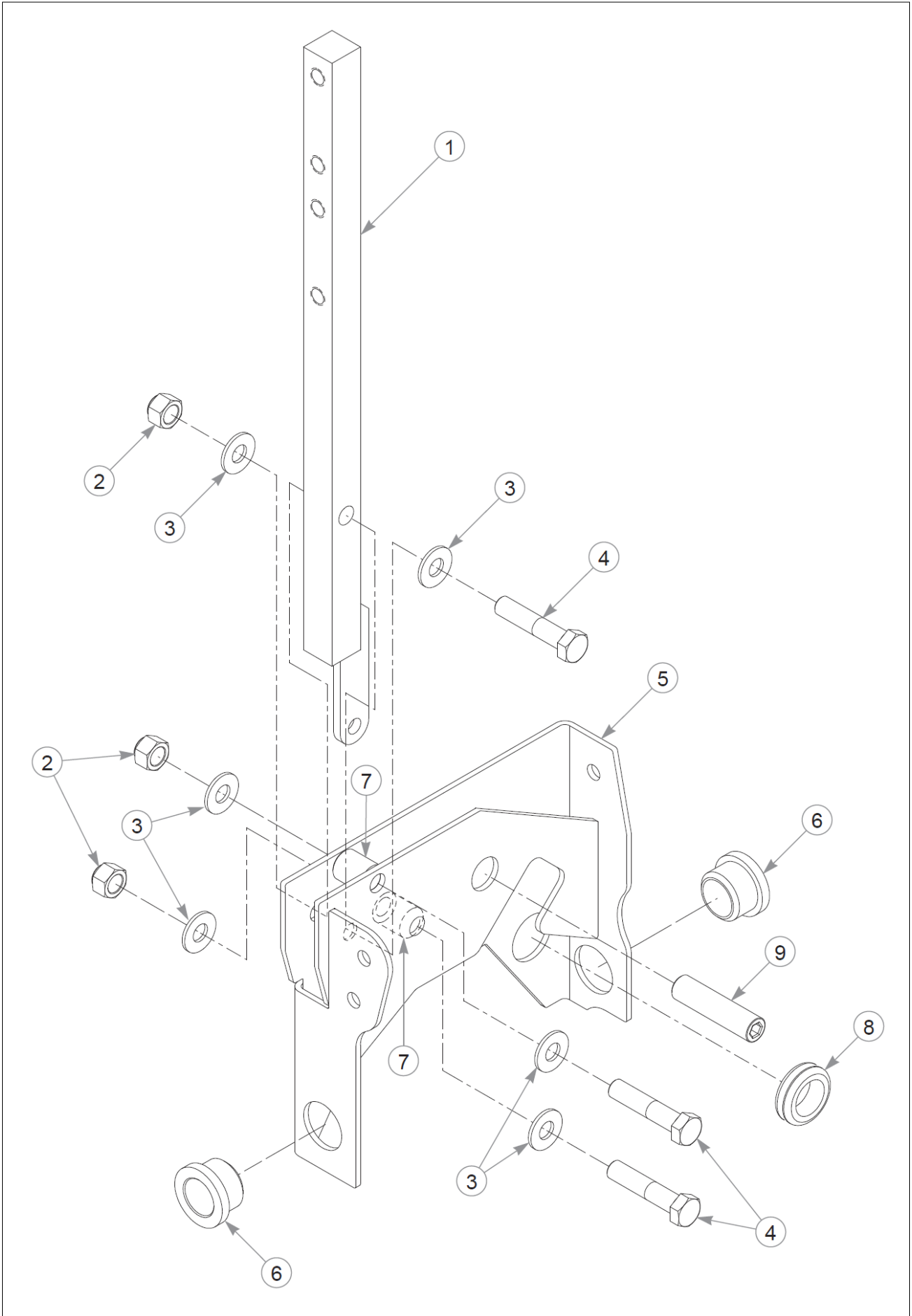
jmumford@excelii.com on Apr 26, 2016

WEAR TAPE LENGTH

A: 14 cm +/- 0.8 cm

1. The steering cover includes the decal.

Hydraulic & Steering



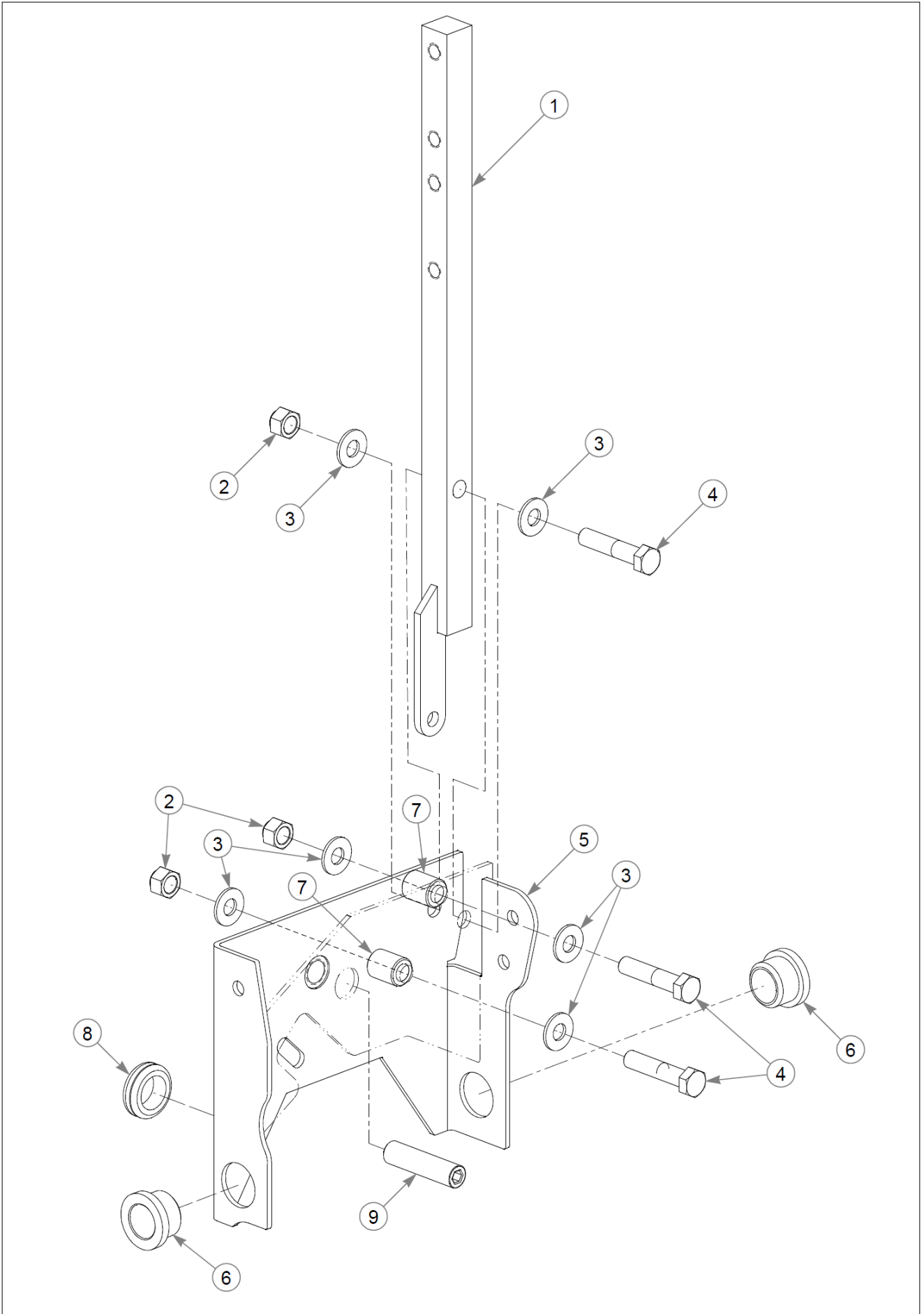
Elemento	Parte n.	Nome	Q.ta	Udm
1	113575	STEERING ARM W/A, SZ	1	EA
2	086660	NT .375-16NLG8	3	EA
3	767954	FW 0.379 x 0.813 x 0.063	6	EA
4	705178	CS .375-16X1.750HXG5	3	EA
5	112899	STEERING BOX W/A LH	1	EA
6	781153	BUSHING, UHMW	2	EA
7	348862	STEERLEVER BUSHING (PLA	2	EA
8	047456	GM .750X.188X1.00X.12	1	EA
9	797738	SS .500-13X2.000SH	1	EA

Comments for Page: LS Steering Box Assembly

jmumford@excelii.com on Sep 1, 2015

1. Torque all hardware to 33 ft-lbs \pm 10%.

Hydraulic & Steering



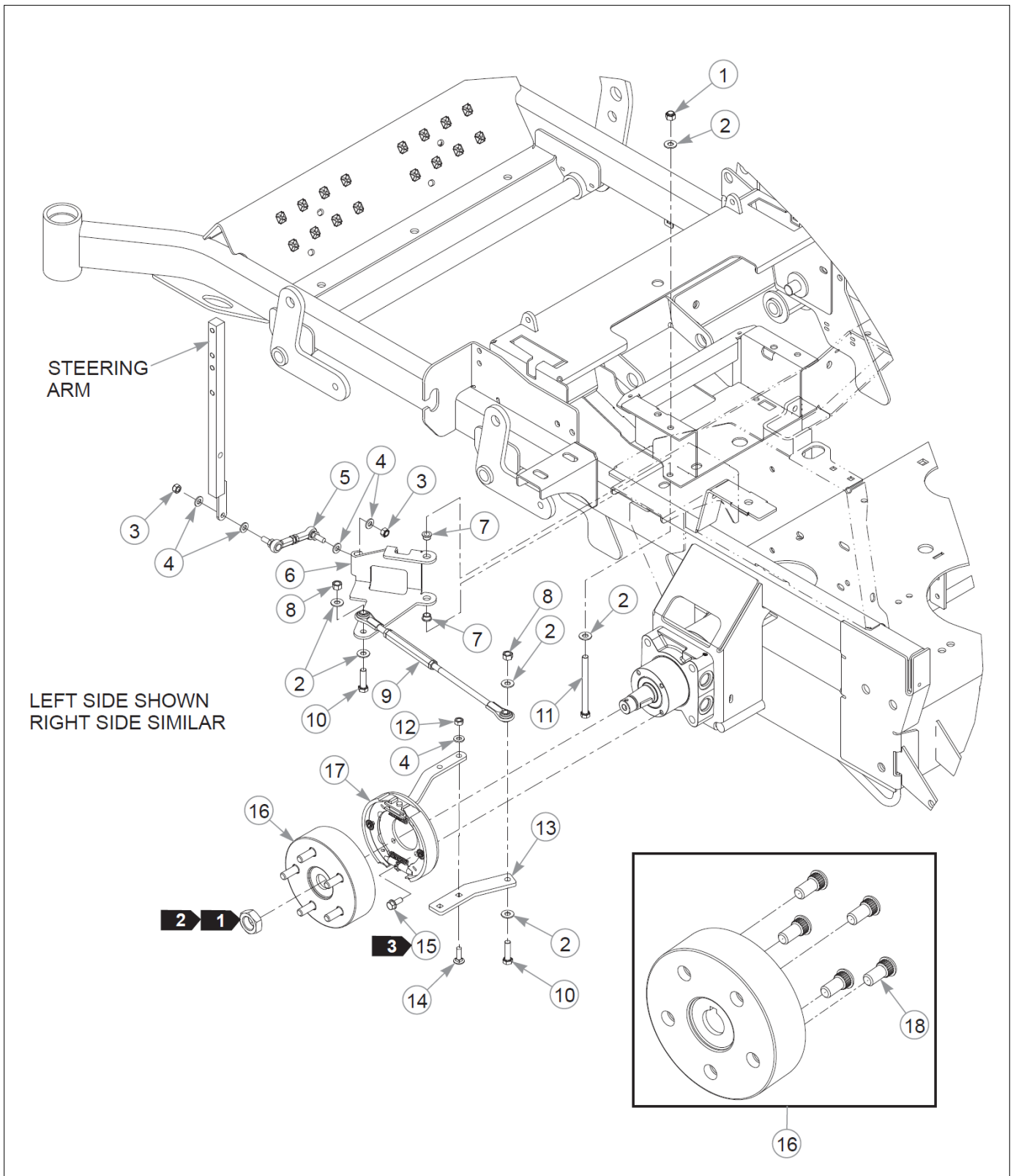
Elemento	Parte n.	Nome	Q.ta	Udm
1	113575	STEERING ARM W/A, SZ	1	EA
2	086660	NT .375-16NLG8	3	EA
3	767954	FW 0.379 x 0.813 x 0.063	6	EA
4	705178	CS .375-16X1.750HXG5	3	EA
5	112898	STEERING BOX W/A, RH	1	EA
6	781153	BUSHING, UHMW	2	EA
7	348862	STEERLEVER BUSHING (PLA	2	EA
8	047456	GM .750X.188X1.00X.12	1	EA
9	797738	SS .500-13X2.000SH	1	EA

Comments for Page: RS Steering Box Assembly

jmumford@excelii.com on Sep 1, 2015

1. Torque all hardware to 33 ft-lbs \pm 10%.

Hydraulic & Steering



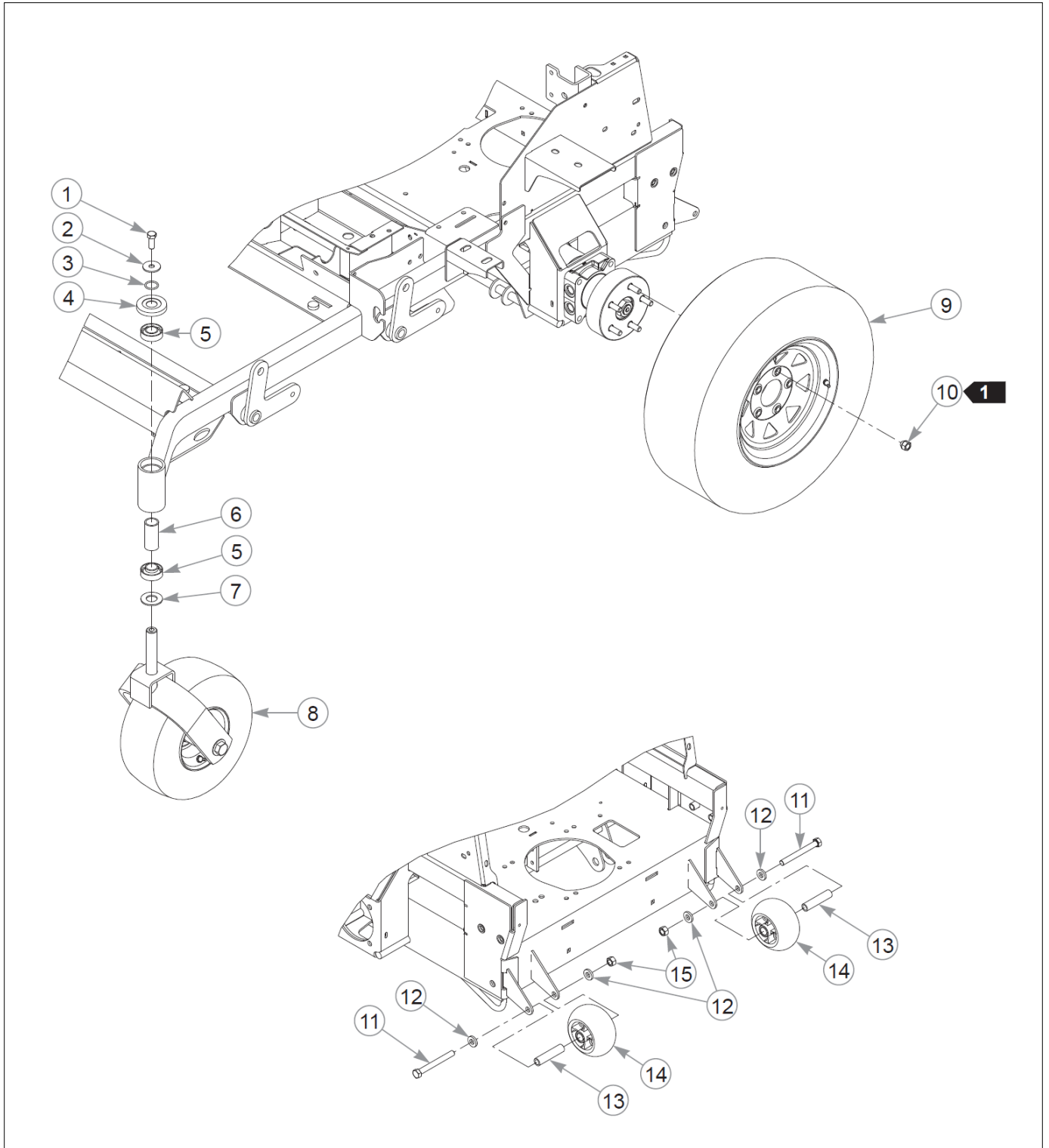
Elemento	Parte n.	Nome	Q.ta	Udm
1	086660	NT .375-16NLG8	2	EA
2	767954	FW 0.379 x 0.813 x 0.063	12	EA
3	023655	NT .312-24NLG5	4	EA
4	768523	FW 0.343SAE	12	EA
5	781583	BRAKE ROD ASSEMBLY	2	EA
6	112907	BRAKE BELLCRANK, SZ LS	1	EA
Not Shown	112906	BRAKE BELLCRANK, SZ RS	1	EA
7	765339	BUSHING,IGUS#0608 (FS)	4	EA
8	054502	NT .375-16HXG5	4	EA
9	350397	BRAKE LINK TURNBUCKLE A	2	EA
10	005116	CS .375-16X1.375	4	EA
11	052514	CS .375-16X4.500HXG5	2	EA
12	034272	NT .312-18HXG5	4	EA
13	111309	BRAKE ARM,Z4	2	EA
14	037887	CB .312-18X 1.000 FUL YZ	4	EA
15	604461	CS .312-18X.75HXG8 FLK	8	EA
16	602384	HUB ASSY, PARKER	2	EA
17	602383	BRAKE ASSY, PARKER	2	EA
18	606124	STUD 1/2-20 X 1 1/2"	5	EA

Comments for Page: Brake

jmumford@excelii.com on Feb 16, 2017

1. Included with the wheel motor.
2. Torque to 298–325 N•m.
3. Torque to 37 N•m. Replace (do not reuse) the cap screw if it is removed or loosened. Use only hand tools to install this fastener.
4. The hub assembly includes the studs.

Wheels & Tires



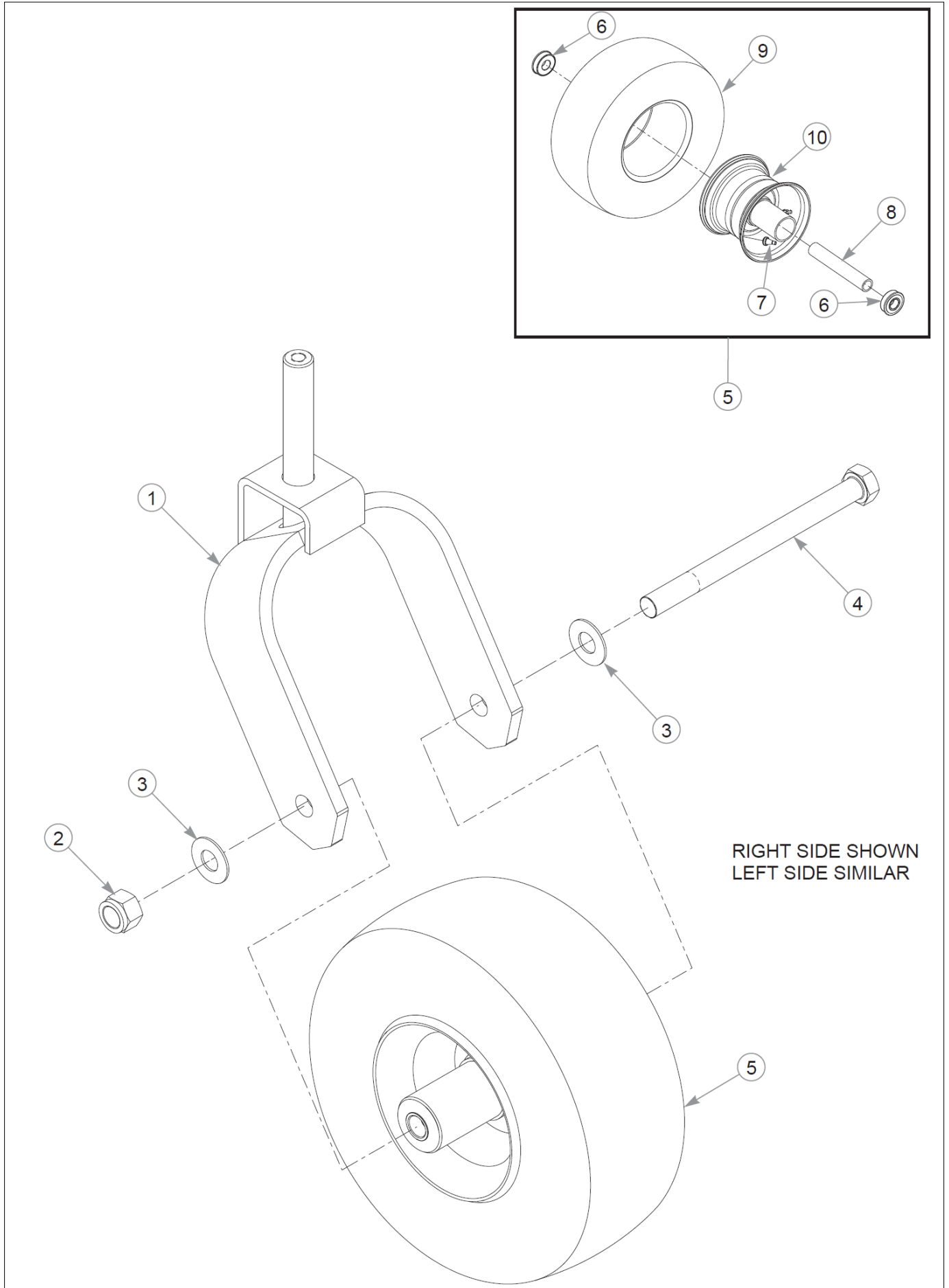
Elemento	Parte n.	Nome	Q.ta	Udm
1	705954	CS .500-13X1.250HSG5	2	EA
2	798603	FW .515X1.65X.125 HD ZY	2	EA
3	601375	O-RING, SAE-14	2	EA
4	603153	DUST CAP, SZ CASTER	2	EA
5	784223	BEARING	4	EA
6	387035	SPACER, 1.07x1.312x2.79	2	EA
7	603164	BEARING DISC, FORK	2	EA
8	N/A	FRONT TIRE SUB-ASSEMBLY	2	EA
9	601238	TIRE/WHEEL ASSY 24x12x12	2	EA
10	061077	WHEEL NUT	10	EA
11	068239	CS .500-13X4.500HXG5	2	EA
12	767962	FW .531 x 1.063 x .175	4	EA
13	602345	SPACER, ANTI-SCALP 3.22	2	EA
14	602263	WHEEL, ANTI-SCALP	2	EA
15	008193	NT .500-13HXG5	2	EA

Comments for Page: Wheel & Tire

jmumford@excelii.com on Feb 16, 2017

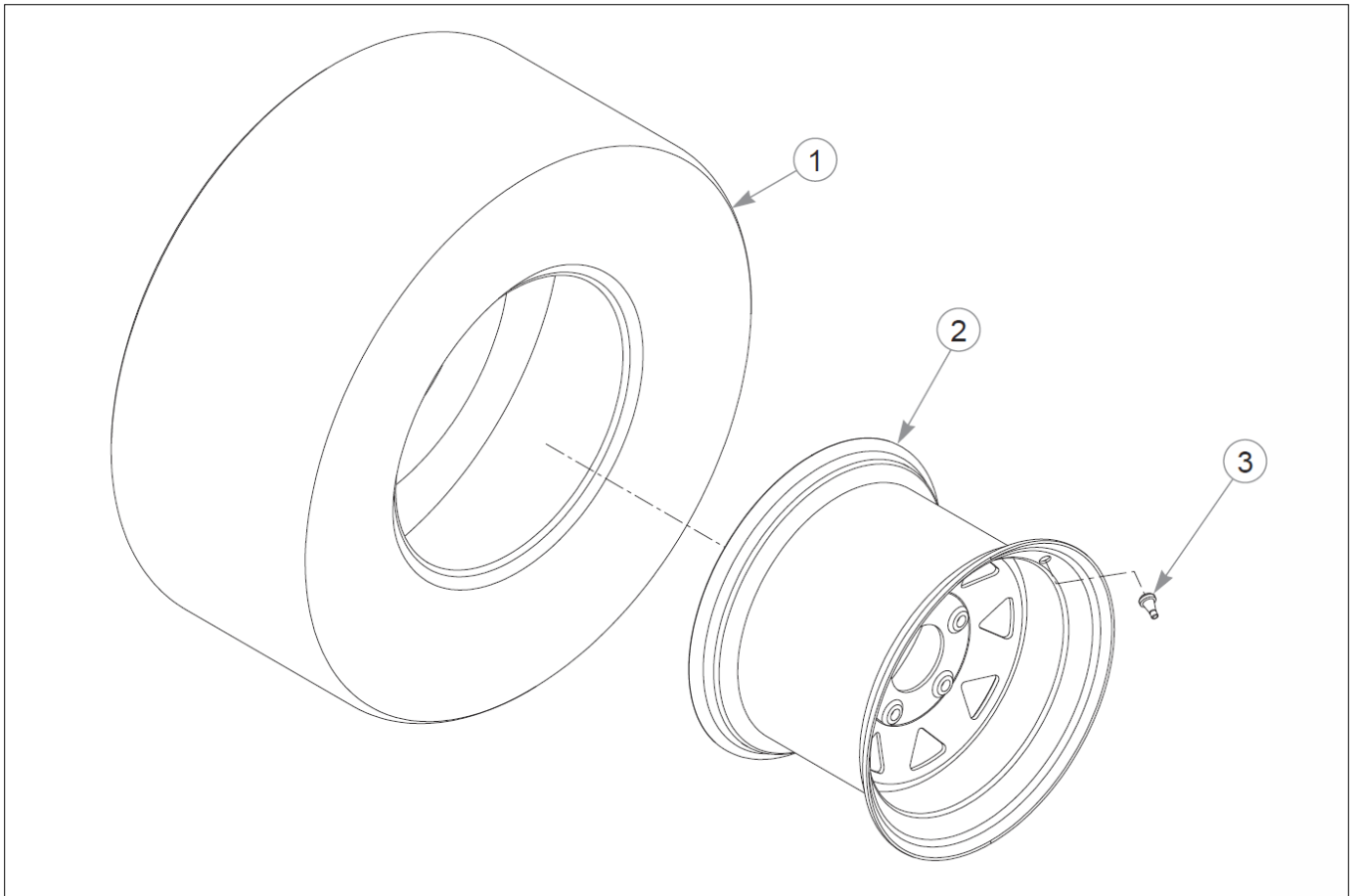
1. Torque to 88–102 N•m.

Wheels & Tires



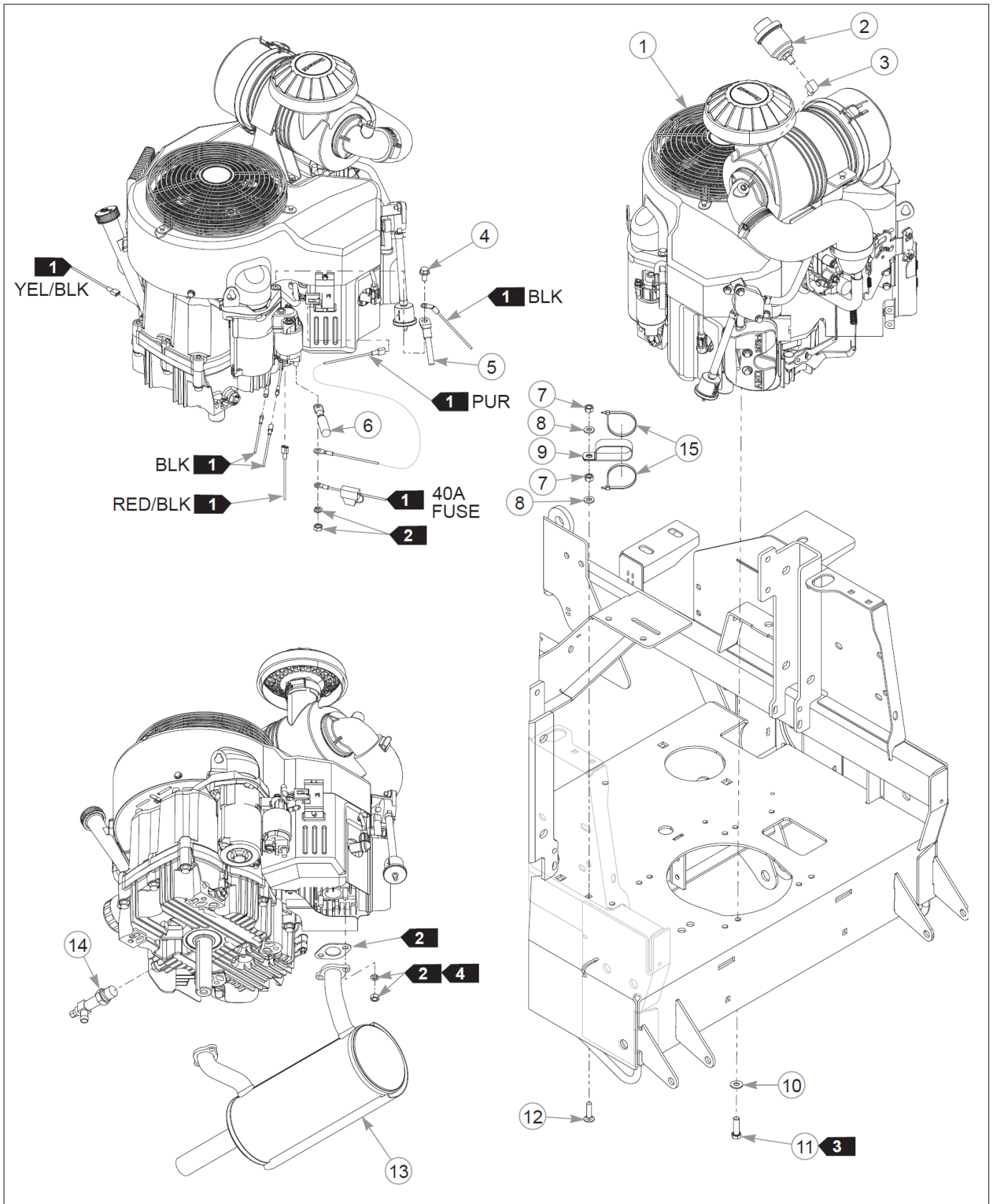
Elemento	Parte n.	Nome	Q.ta	Udm
1	116890	FORK W/A	1	EA
<p>Commenti per num parte 116890</p> <p>brian on Nov 11, 2014 Heavy Duty Fork</p>				
Not Shown	113621	FORK, W/A SZ 2011	1	EA
<p>Commenti per num parte 113621</p> <p>brian on Dec 9, 2014 Standard Fork.</p>				
2	061101	NT .750-10 HX ZY NL GR B	1	EA
3	025296	FW .760X1.625X0.080	2	EA
4	041475	CS .750-10X9.50 HXZY	1	EA
5	604898	TIRE/WHEEL 13X6.50 SMH	1	EA
<p>Commenti per num parte 604898</p> <p>brian on Oct 18, 2016 NOTE: Grease zerk is not available for purchase from Excel. Contact your local parts supply store for replacement zerk.</p>				
6	039677	WHEEL BEARING	2	EA
7	019521	TIRE VALVE TR-412 GOODY	1	EA
8	782771	SPACER, BEARING (SERV P	1	EA
9	604843	TIRE 13X6.50-6 SMOOTH	1	EA
10	747832	WHEEL 6 X 4.5	1	EA

Wheels & Tires

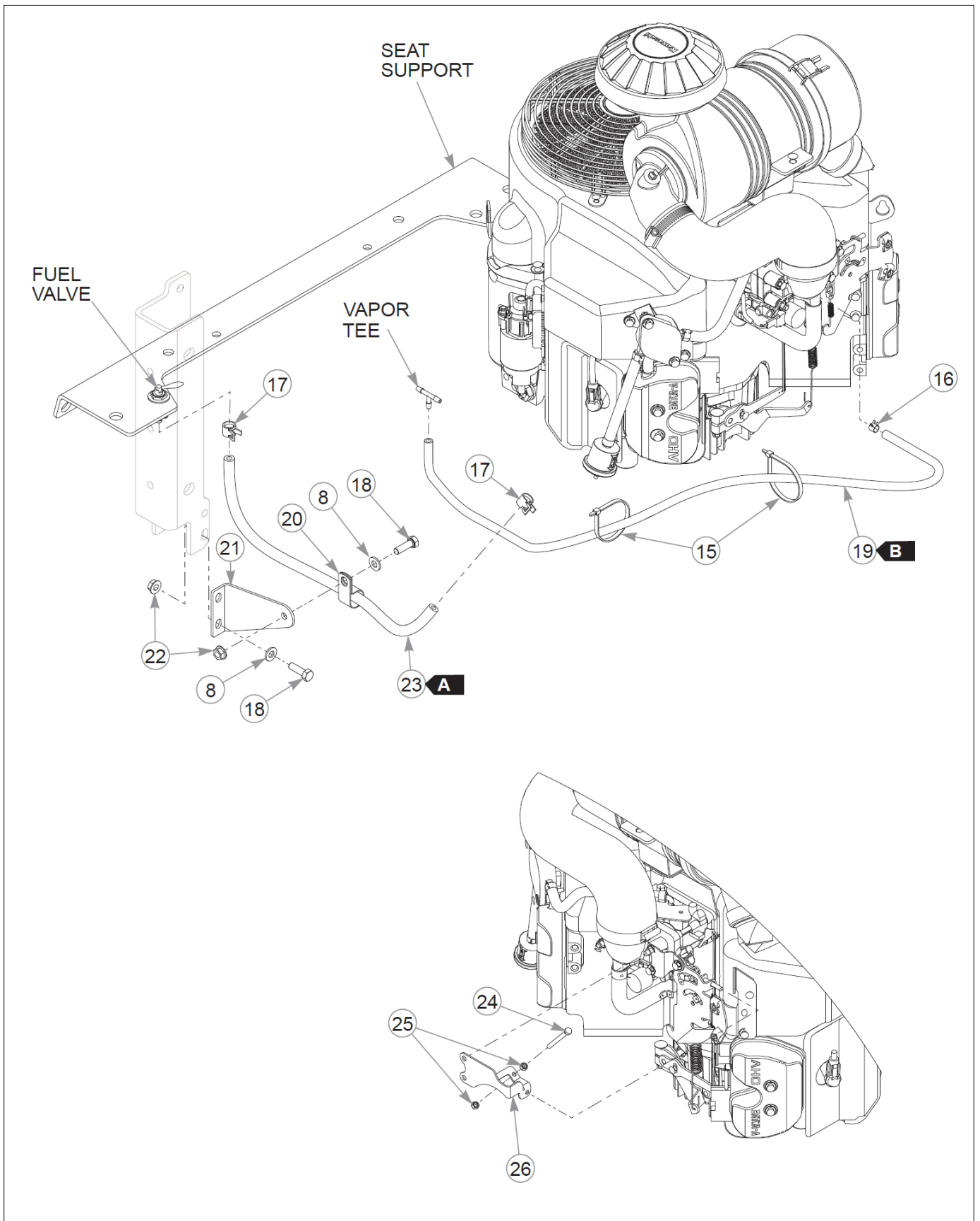


Elemento	Parte n.	Nome	Q.ta	Udm
1	781245	TIRE 24x12-12 4-PLY	1	EA
2	796250	WHEEL ASSEMBLY 12x8.50	1	EA
3	019521	TIRE VALVE TR-412 GOODY	1	EA

Engine & Fuel Tank



Elemento	Parte n.	Nome	Q.ta	Udm
1		ENGINE, KAW FX850V	1	EA
2	788943	AIR FILTER INDICATOR	1	EA
3	601216	FTG, ELBOW, STREET	1	EA
4	720516	CS M8-1.25X16HX FL10.9	1	EA
5	605155	BATTERY CABLE, NEGATIVE	1	EA
6	604029	BATTERY CABLE, POSITIVE	1	EA
7	034272	NT .312-18HXG5	2	EA
8	768523	FW 0.343SAE	5	EA
9	045088	HOSE CLAMP 1" (FS)	1	EA
10	767954	FW 0.379 x 0.813 x 0.063	4	EA
11	602580	CS .375-16x1.25 HXG8 P85	4	EA
12	602827	CB .312-18X 1.250 ZNYC	1	EA
13	603012	MUFFLER, FX850V	1	EA
14	796524	VALVE,OIL DRAIN M20x2.5	1	EA
15	000331	WIRE TIE, SMALL/SHORT	4	EA
16	603112	CLAMP, 3/16 FUEL	1	EA
17	000323	CLIP, HOSE CLAMP	2	EA
18	036236	CS .312-18X1.000HXG5	3	EA
19	603326	VAPOR LINE, 3/16"	86 cm	FT
20	043570	CLIP - HOSE - SINGLE(FS)	1	EA
21	114578	ANGLE, BRACE	1	EA
22	016832	NT .312-18FLKG5	3	EA
23	015818	FUEL LINE, 1/4"	43 cm	IN
24	603524	CS M5-0.8 X 50 MM	1	EA
25	048934	NT M5-0.8 HX GRD 8.8 ZN	2	EA
26	120231	BRACKET, THROTTLE FX850V	1	EA

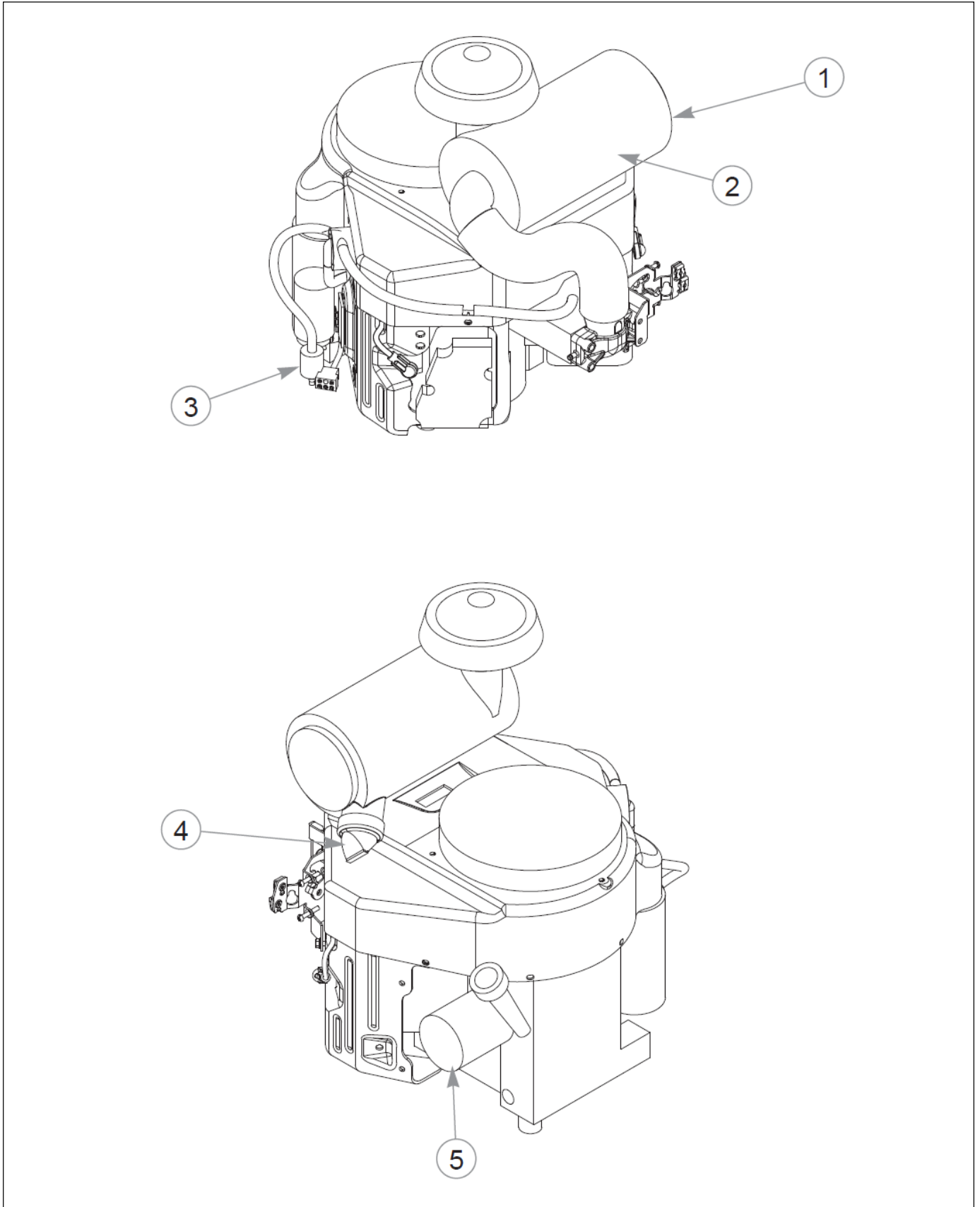


Comments for Page: Engine (Multi-Page)

jmumford@excelii.com on Feb 16, 2017

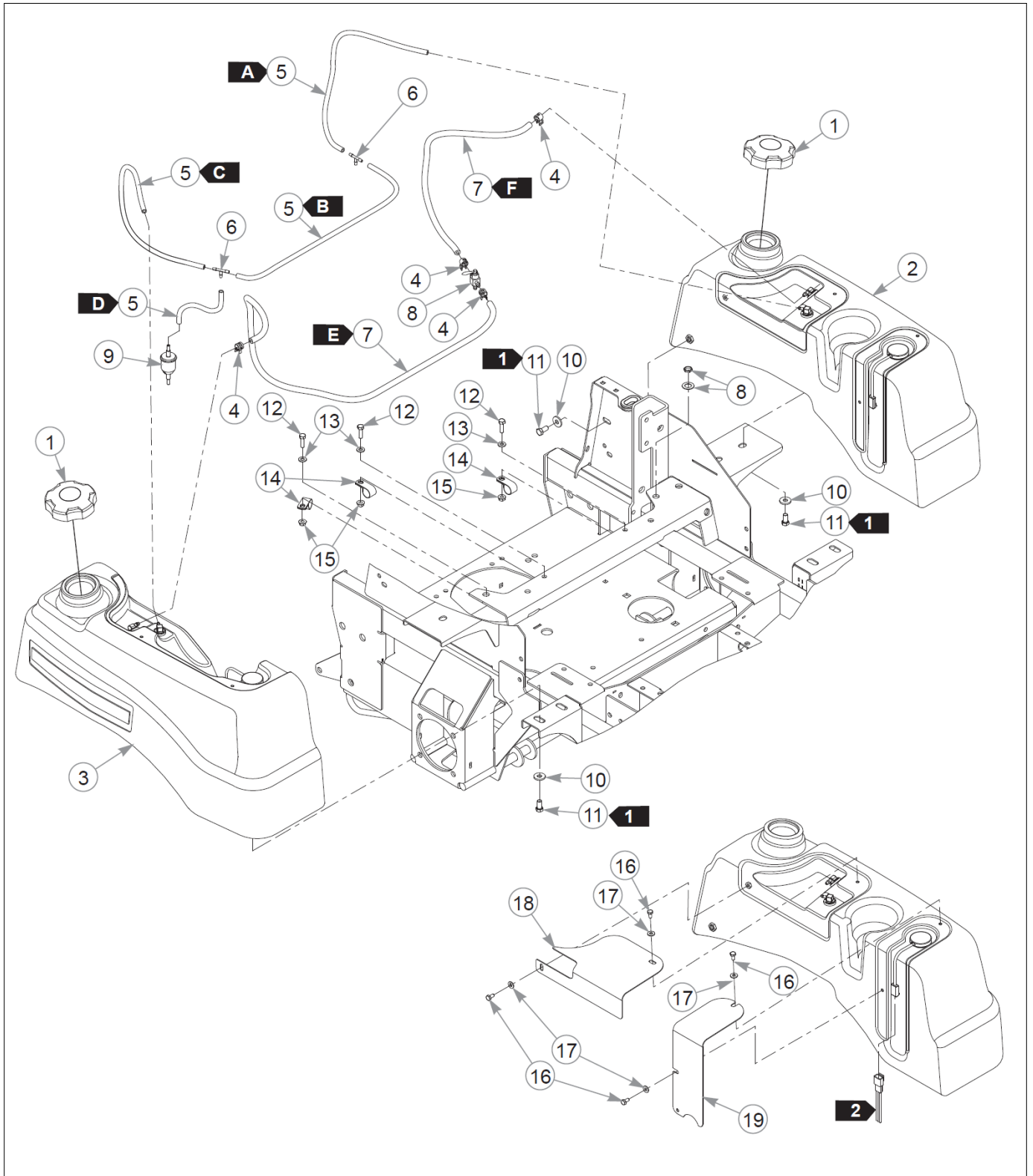
FUEL & VAPOR LINE LENGTHSA: 43 cm VALVE TO ENGINE (FUEL)B: 86 cm TEE TO ENGINE (VAPOR)1. Part of the wire harness.2. Supplied with the engine.3. Torque to 16 N•m plus 60° rotation of the cap screw head. Replace (do not reuse) the cap screw if it is removed or loosened. Use only hand tools to install this fastener.4. Torque to 23 N•m.

Engine & Fuel Tank



Elemento	Parte n.	Nome	Q.ta	Udm
1	785261	AIR FLTR ELEMENT - MAIN	1	EA
2	785279	AIR FLTR ELEMENT -SAFETY	1	EA
3	068478	FUEL FILTER IN-LINE	1	EA
4	763318	VALVE, VACUATOR (SERV P	1	EA
5	603138	OIL FILTER, KAW	1	EA
6	606531	FUEL STABILIZER, CARTON		EA
<p>Commenti per num parte 606531</p> <p>brian on Sep 14, 2017</p> <p>CONTAINS 6 - 8 FL. OZ. BOTTLES PER CASE</p>				
7	606535	OIL 10W-30, CARTON		EA
<p>Commenti per num parte 606535</p> <p>brian on Sep 14, 2017</p> <p>CONTAINS 12 - 1 U.S. QUART BOTTLES PER CASE</p>				

Engine & Fuel Tank



Elemento	Parte n.	Nome	Q.ta	Udm
1	603807	CAP, 3.5" RATCHETING GAS	2	EA
2	605102	TANK, FENDER, L.H.	1	EA
3	605101	TANK, FENDER, R.H.	1	EA
4	000323	CLIP, HOSE CLAMP	4	EA
5	603326	VAPOR LINE, 3/16"	74"	FT
6	604281	TEE, 3/16" PLASTIC	2	EA
7	015818	FUEL LINE, 1/4"	66"	IN
8	745059	FUEL VALVE 3-WAY	1	EA
9	604323	FILTER, VAPOR SYSTEM	1	EA
10	712919	FW 0.406X1.000X0.120HD	10	EA
11	055822	CS .375-16X0.750HXG5	10	EA
12	036236	CS .312-18X1.000HXG5	3	EA
13	768523	FW 0.343SAE	3	EA
14	043570	CLIP - HOSE - SINGLE(FS)	3	EA
15	016832	NT .312-18FLKG5	3	EA
16	055947	CS .250X20X0.500HXG5	4	EA
17	768515	FW 0.281SAE	4	EA
18	115998	COVER, TANK	1	EA
19	115999	COVER, TANK	1	EA
20	000331	WIRE TIE, SMALL/SHORT	1	EA

Comments for Page: Fuel System

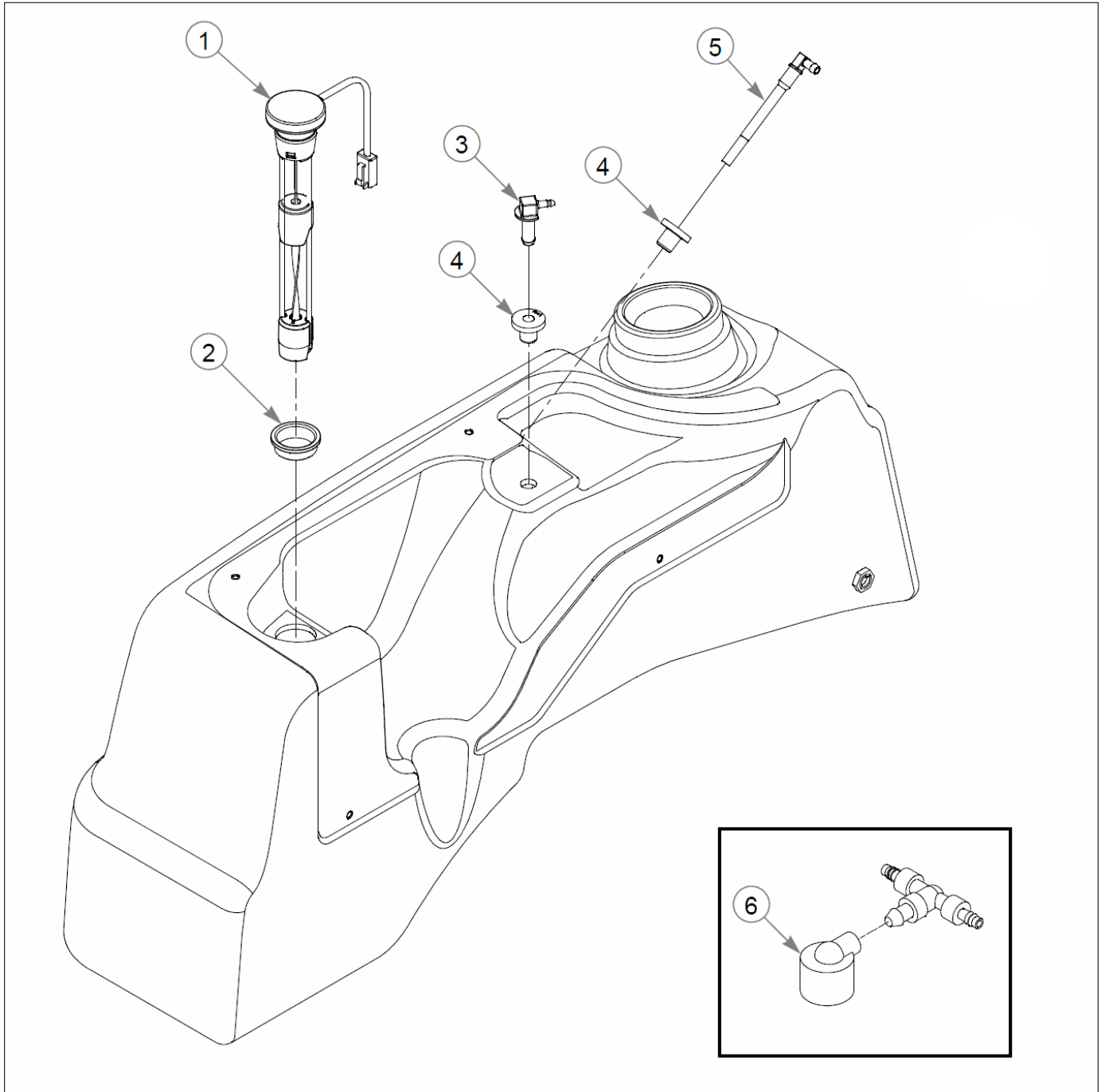
jmumford@excelii.com on Feb 16, 2017

FUEL & VAPOR LINE LENGTHS

- A: 43 cm LEFT TANK TO TEE (VAPOR)
- B: 61 cm TEE TO TEE (VAPOR)
- C: 61 cm RIGHT TANK TO TEE (VAPOR)
- D: 23 cm TEE TO FILTER (VAPOR)
- E: 112 cm RIGHT TANK TO VALVE (FUEL)
- F: 56 cm LEFT TANK TO VALVE (FUEL)

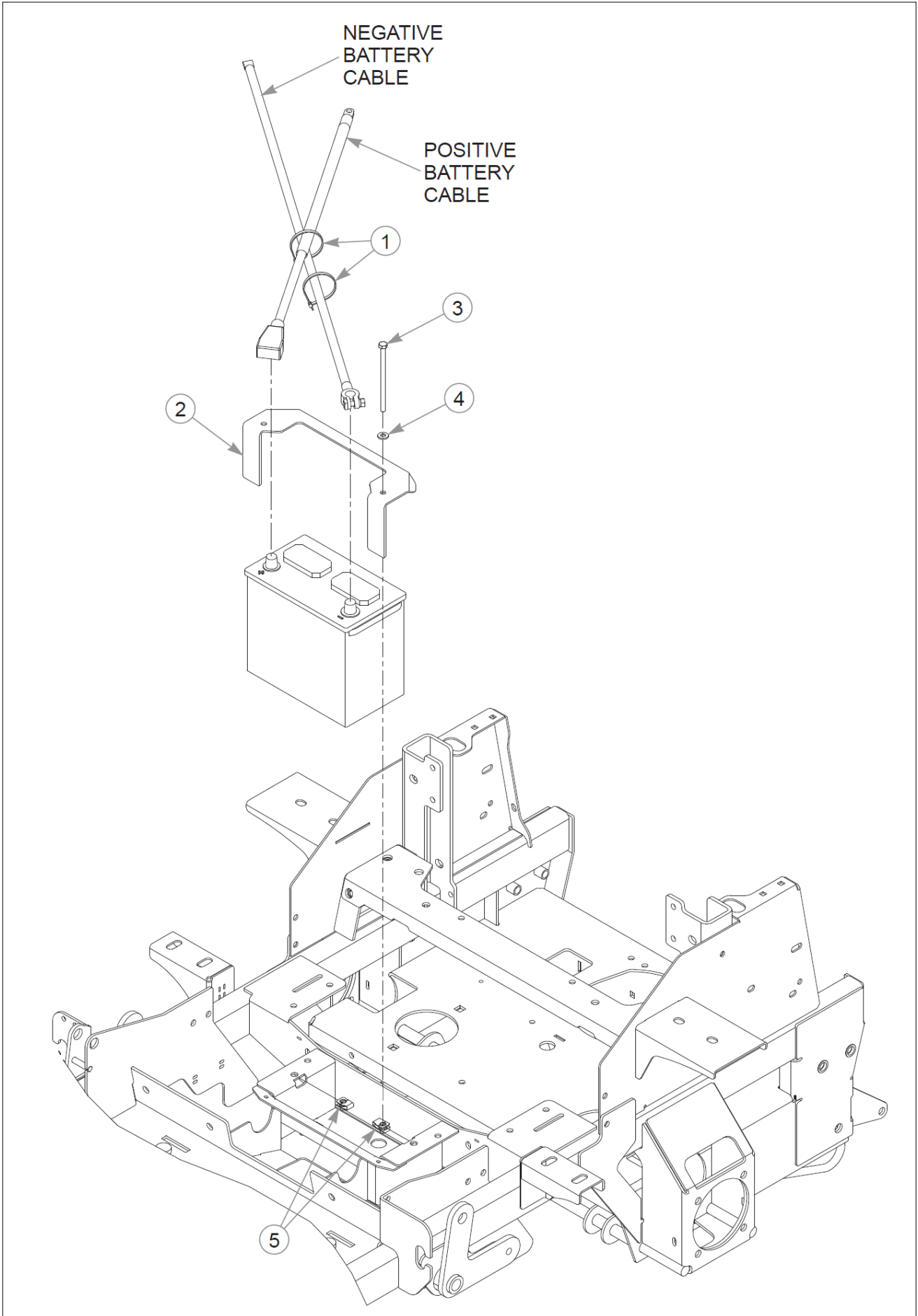
1. Torque to 22 N•m.
2. Part of the wire harness.

Engine & Fuel Tank



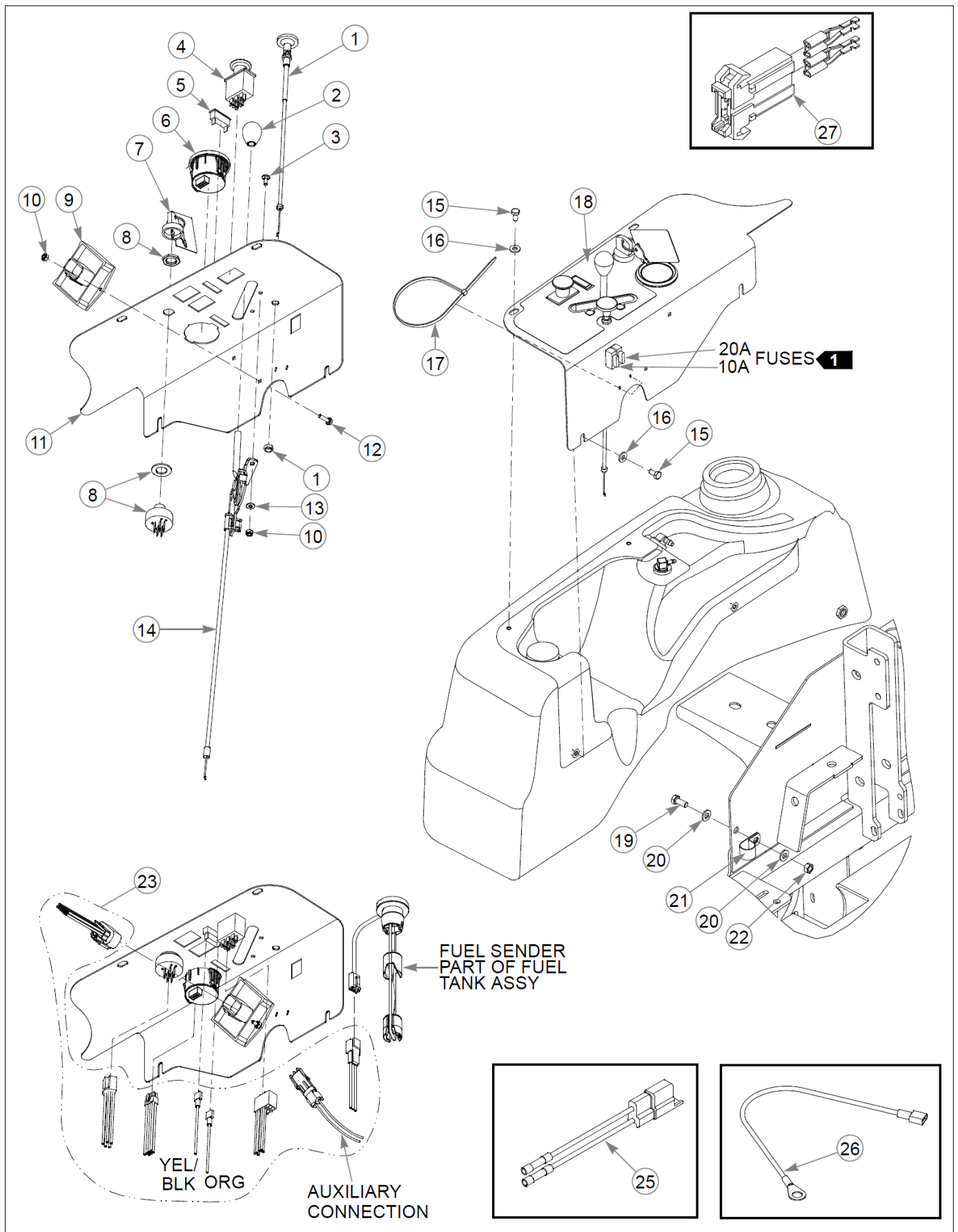
Elemento	Parte n.	Nome	Q.ta	Udm
1	603888	FUEL SENDER	1	EA
<p>Commenti per num parte 603888</p> <p>jmumford@excelii.com on Jul 8, 2014</p> <p>When replacing the Fuel Sender, also replace 605648 Fuel Grommet.</p>				
2	605648	GROMMET, FUEL	1	EA
3	604287	VENT FITTING, 3/16" BARB	1	EA
4	604200	VITON GROMMET	2	EA
5	605156	SUCTION HOSE ASSY 19.5	1	EA
6	603161	VACUUM BREAKER FILTER	1	EA

Electrical



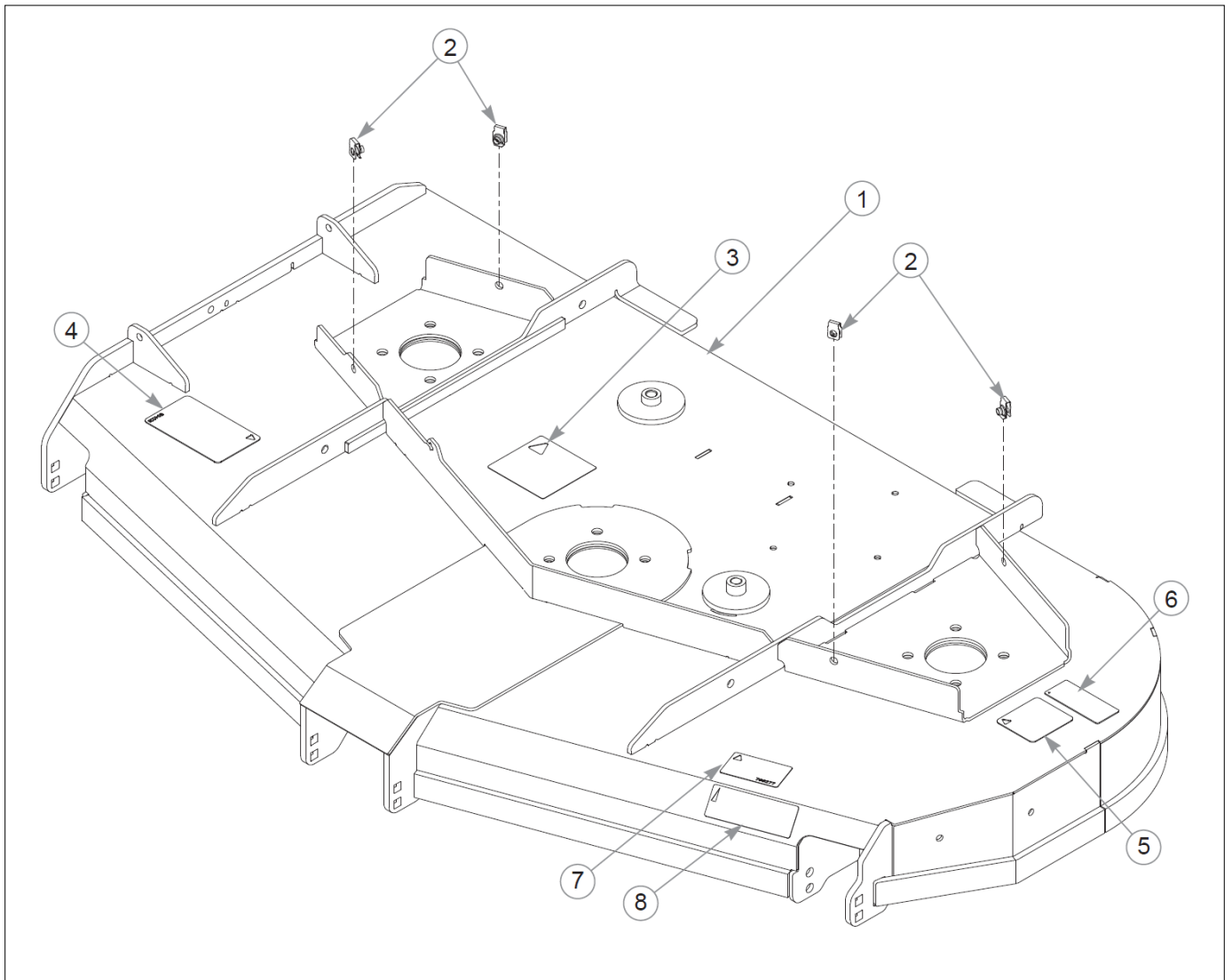
Elemento	Parte n.	Nome	Q.ta	Udm
1	000331	WIRE TIE, SMALL/SHORT	3	EA
2	113676	BATTERY STRAP, SZ GRP 45	1	EA
3	050823	CS .312-18X5.000HXG5	2	EA
4	768523	FW 0.343SAE	2	EA
5	601069	CN .312-18x.200 MAX THK	2	EA

Electrical



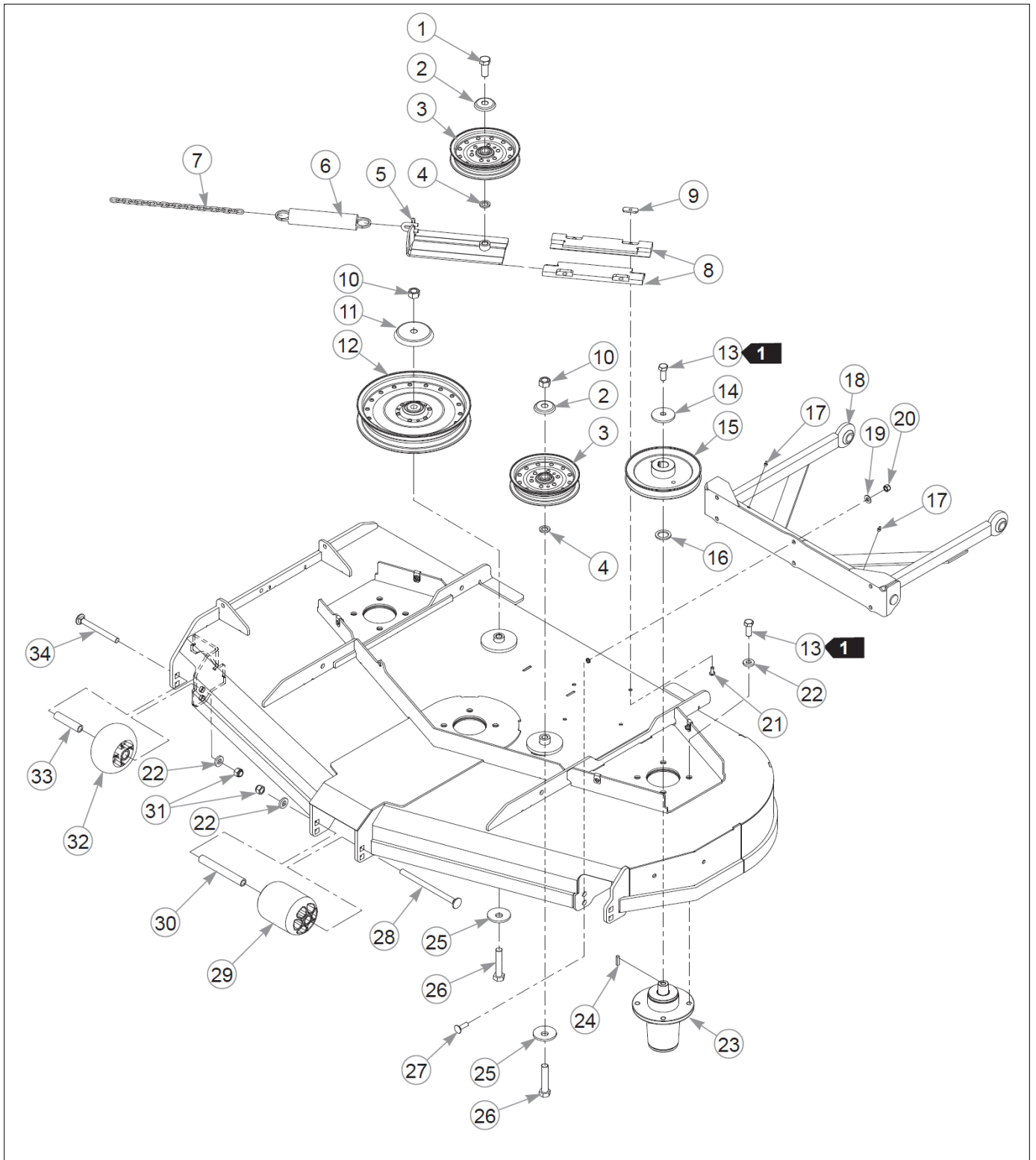
Elemento	Parte n.	Nome	Q.ta	Udm
1	601095	CABLE, CHOKE	1	EA
2	603523	KNOB	1	EA
3	601098	CB 10-24 X .500 ZYNC	2	EA
4	776476	SWITCH, PTO 6201-321	1	EA
5	712257	INDICATOR LIGHT, RED(FS)	1	EA
6	606068	GUAGE, FUEL/HOURMETER	1	EA
7	785808	KEY ASSEMBLY	1	EA
8	045898	IGNITION SWITCH	1	EA
9	604373	RELAY CONTROL MODULE	1	EA
10	059832	NT #10-24 HX NL ZN	4	EA
11	553453	SVC, INSTRUMENT PANEL	1	EA
12	063198	CS #10-24X0.750FLKG5	2	EA
13	704932	FW 0.219X0.500X0.048	2	EA
14	603847	CABLE, THROTTLE 50.0"	1	EA
15	055947	CS .250X20X0.500HXG5	4	EA
16	768515	FW 0.281SAE	4	EA
17	000430	WIRE TIE, SMALL/LONG	1	EA
18	606075	DECAL, INST PANEL	1	EA
19	034280	CS .312-18X0.750HXG5	1	EA
20	768523	FW 0.343SAE	2	EA
21	043570	CLIP - HOSE - SINGLE(FS)	1	EA
22	034272	NT .312-18HXG5	1	EA
23	604241	WIRE HARNESS, ATZ/SZ	1	EA
24	000331	WIRE TIE, SMALL/SHORT	8	EA
25	114052	KIT, CLUTCH CONN. REP.	1	EA
26	604430	WIRE HARNESS	1	EA
27	601047	HOLDER, FUSE	1	EA

Deck



Elemento	Parte n.	Nome	Q.ta	Udm
1	550739	SERVICE DECK, 60" VX4	1	EA
2	601069	CN .312-18x.200 MAX THK	4	EA
3	781419	DECAL, BELT ROUTING	1	EA
4	604221	DECAL, DANGER / CHUTE	1	EA
5	601837	DECAL, DECK DANGERS	1	EA
6	601892	DECAL, THROWN OBJECTS	1	EA
7	786277	DECAL, 60 DECK ID	1	EA
8	603092	DECAL, VX4 TECHNOLOGY	1	EA

Deck



Elemento	Parte n.	Nome	Q.ta	Udm
1	794446	CS .625-11X1.500HXG5	1	EA
2	602935	DUST SHIELD, IDLER SM	2	EA
3	602821	IDLER, 6.0" RIVETED	2	EA
4	028118	FW 0.625X1.000X0.134	2	EA
5	350884	SLIDE, DECK IDLER	1	EA
6	781302	IDLER SPRING	1	EA
7	373191	CHAIN, 21 LINK	1	EA
8	602936	IDLER SLIDE, UHMW	2	EA
9	603023	WN .312-18 ZN	4	EA
10	016972	NT .625-11 HX G5 ZNYC	2	EA
11	602963	DUST SHIELD, IDLER LG	1	EA
12	602743	IDLER, 10.0" RIVETED	1	EA
13	705954	CS .500-13X1.250HSG5	15	EA
14	752386	CW .515X 2.25X .204 BLK	3	EA
15	602745	PULLEY, DRIVE 7.00 EFF	3	EA
16	045765	FW 1.030X1.500X0.134	3	EA
17	015495	GREASE FITTING STRAIGHT	2	EA
18	113340	PUSHER W/A, HZ/SZ	1	EA
19	767954	FW 0.379 x 0.813 x 0.063	6	EA
20	086660	NT .375-16NLG8	6	EA
21	603022	CS .312-18X.625 BH ZN	4	EA
22	767962	FW .531 x 1.063 x .175	15	EA
23	604255	SPINDLE ASSY, DUCTILE	3	EA
<p>Commenti per num parte 604255</p> <p>brian on Apr 15, 2015</p> <p>Spindle has no service parts available. Replace complete spindle assembly.</p>				
24	212472	KEY 1/4 SQ X 1.00 LG(FS)	3	EA
25	782474	CW .678 X 2.250 X .187	2	EA
26	783738	CS .625-11X3.000HXG5	2	EA
27	603113	CB .375-16X1.250 G5 ZNC	6	EA
28	602338	CB .50-13 X 7.50 STD ZN	1	EA

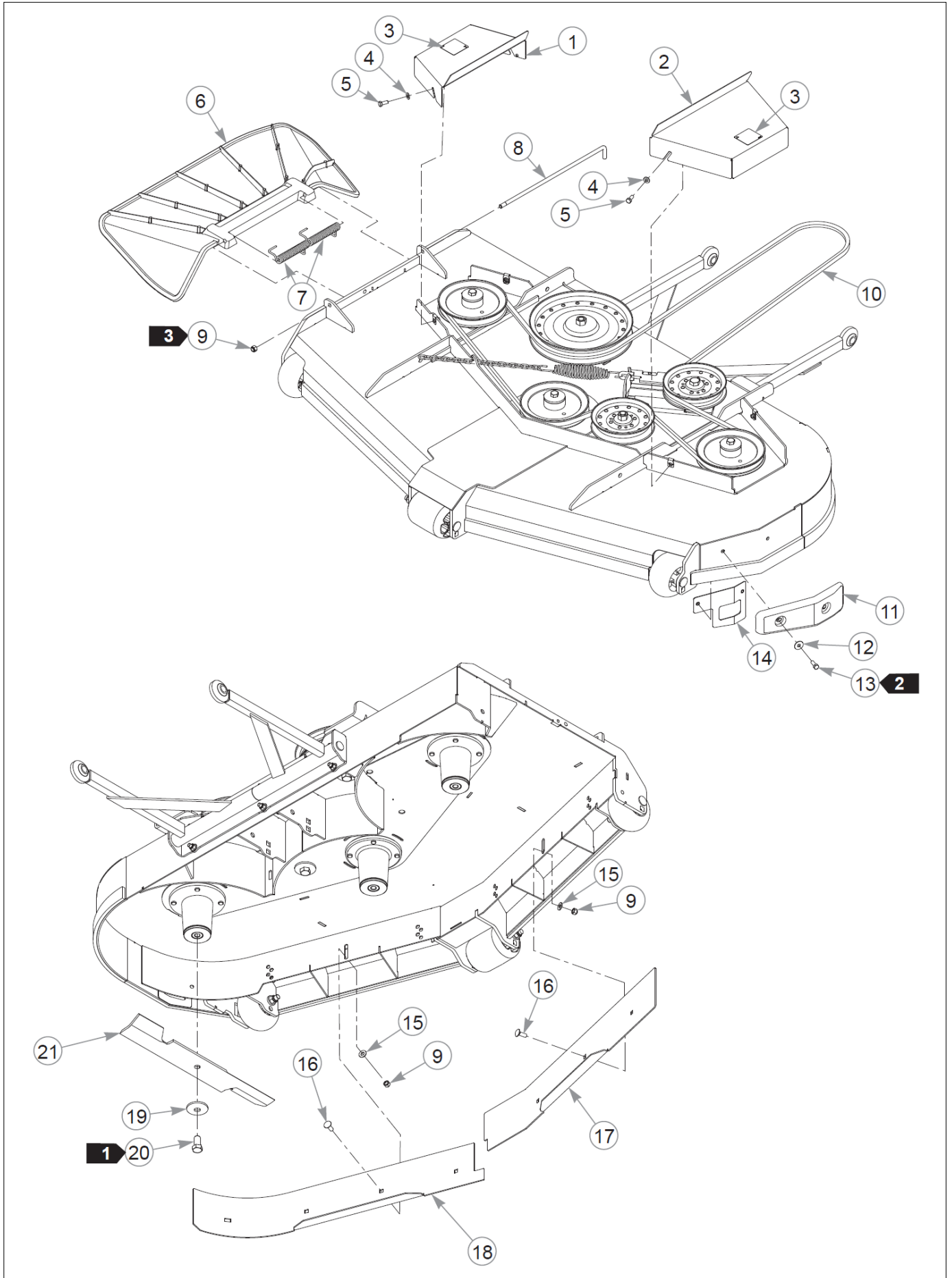
Elemento	Parte n.	Nome	Q.ta	Udm
29	602341	WHEEL, ANTI-SCALP	1	EA
30	602344	SPACER, ANTI- SCALP 5.73	1	EA
31	781567	NT .500-13NLG5	3	EA
32	602263	WHEEL, ANTI-SCALP	2	EA
33	602345	SPACER, ANTI-SCALP 3.22	2	EA
34	603049	CB .500-13 X 5.00 ZNYC	2	EA

Comments for Page: Side Discharge Deck Pulleys & Spindles

jmumford@excelii.com on Feb 16, 2017

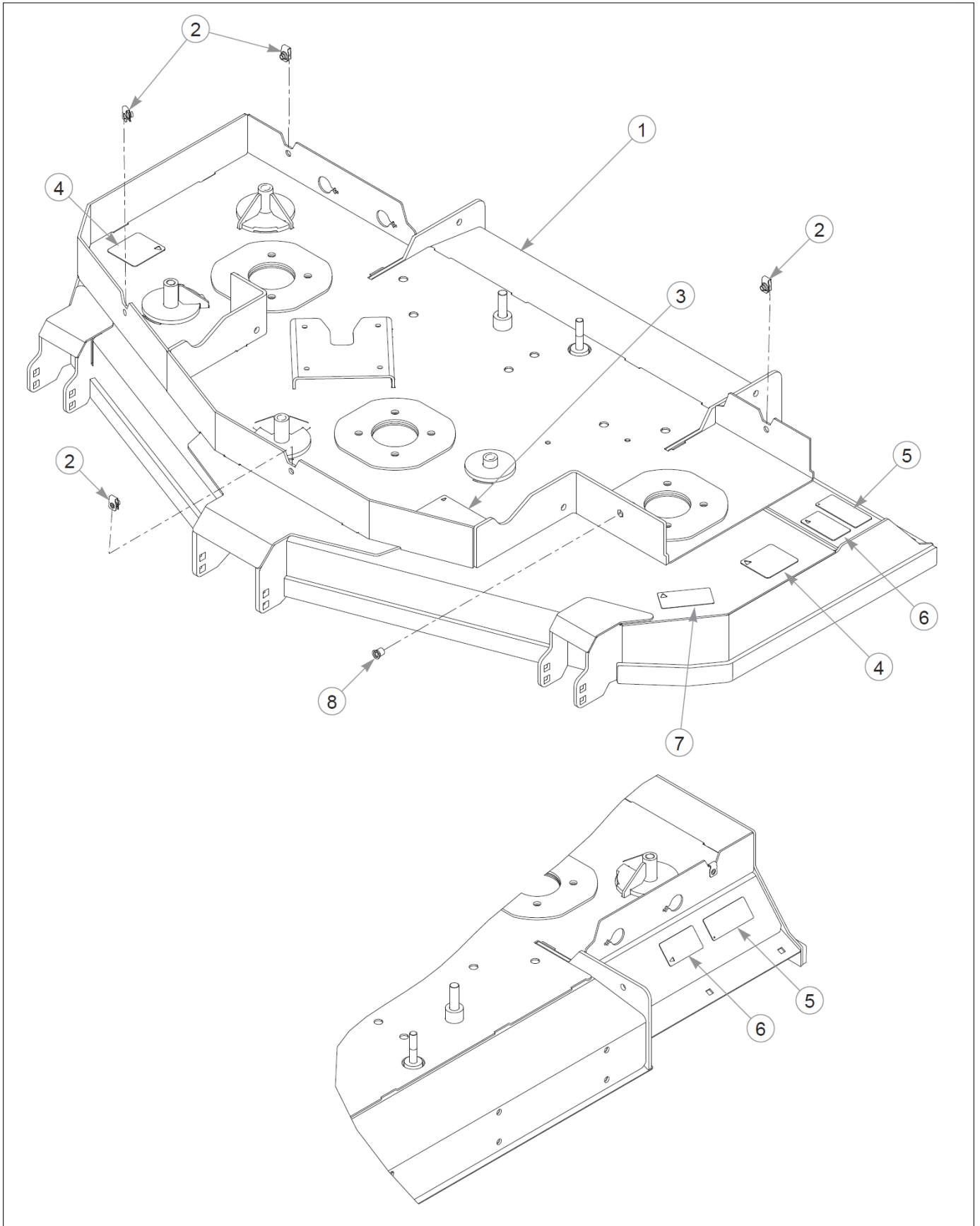
1. Torque to 87–98 N•m.

Deck



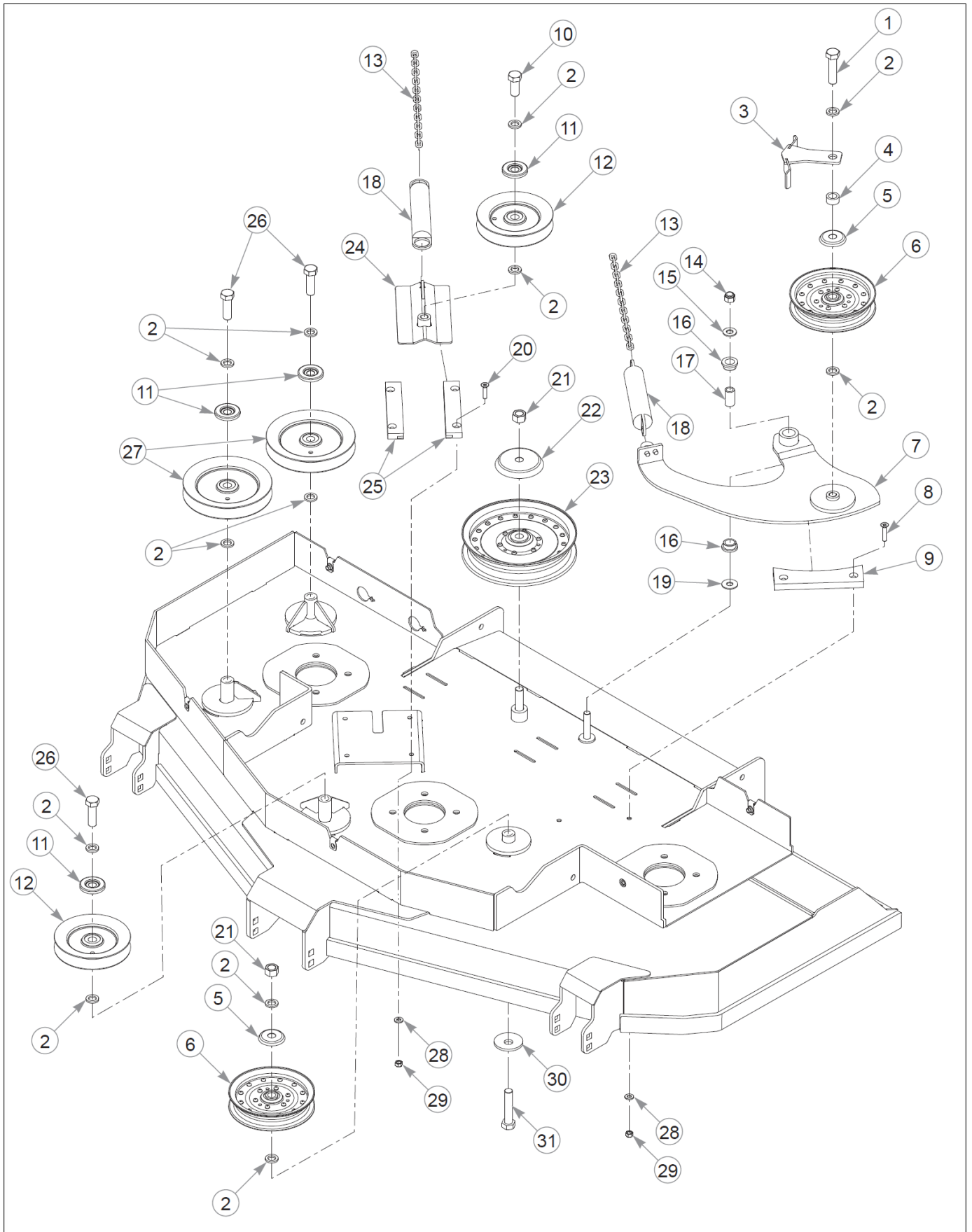
Elemento	Parte n.	Nome	Q.ta	Udm
1	553268	SERVICE GUARD, RH	1	EA
2	553267	SERVICE GUARD, LH	1	EA
3	602562	DECAL, NO SERVICE	2	EA
4	768523	FW 0.343SAE	4	EA
5	034280	CS .312-18X0.750HXG5	4	EA
6	602891	CHUTE, DISCHARGE LG	1	EA
7	602435	SPRING, TORSION	2	EA
8	602432	PIN, CHUTE	1	EA
9	086660	NT .375-16NLG8	8	EA
10	604494	BELT, B-SEC 172" EL	1	EA
11	602817	RUBBER BUMPER	1	EA
12	079210	FW 0.344X1.000X0.060	2	EA
13	064014	CS .312-18X0.875HXG5	2	EA
14	113563	BACKING PLATE W/A	1	EA
15	767954	FW 0.379 x 0.813 x 0.063	7	EA
16	025395	CB .375-16X 1.00 G5 ZNY	7	EA
17	113636	WALL, INNER RH 60" CE	1	EA
18	113637	WALL, INNER LH 60" CE	1	EA
19	782474	CW .678 X 2.250 X .187	3	EA
20	781872	CS .625-11X1.250HXG5	3	EA
21	602771	BLADE, F20.50" EHN-F-CW	3	EA
Not Shown	793794	BLADE,20.50"-L-F-CW	3	EA
Not Shown	794214	BLADE,20.50"-MUL-F-CW	3	EA
Not Shown	794230	BLADE,20.50"GAT-F-CW	3	EA
Not Shown	794685	BLADE, F20.50"-H-F-CW	3	EA

Deck

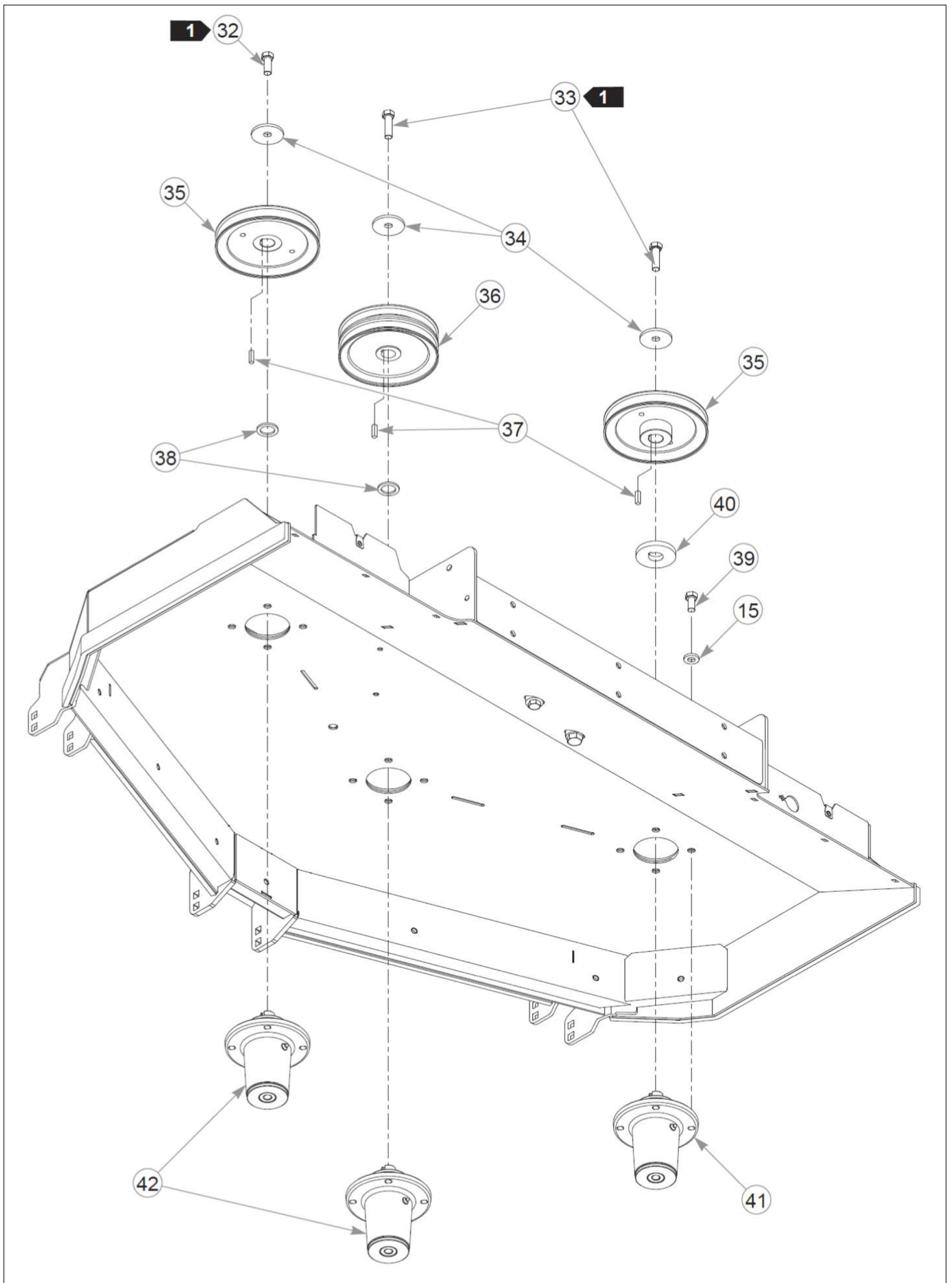


Elemento	Parte n.	Nome	Q.ta	Udm
1	550935	SVC DECK DECAL 60" RD	1	EA
2	601069	CN .312-18x.200 MAX THK	4	EA
3	603349	DECAL, 2 BELT ROUTING	1	EA
4	601837	DECAL, DECK DANGERS	2	EA
5	601892	DECAL, THROWN OBJECTS	2	EA
6	603391	DECAL, RUBBER FLAP	2	EA
7	786277	DECAL, 60 DECK ID	1	EA
8	792887	RIVET NUT,HX 5/16-18 TH	1	EA

Deck



Elemento	Parte n.	Nome	Q.ta	Udm
1	025015	CS .625-11X2.500HXG5	1	EA
2	028118	FW 0.625X1.000X0.134	12	EA
3	113088	BELT GUIDE, W/A	1	EA
4	603256	SPACER DECK IDLER 1/2"LG	1	EA
5	602935	DUST SHIELD, IDLER SM	2	EA
6	602821	IDLER, 6.0" RIVETED	2	EA
7	114133	IDLER ARM W/A, RD DECK	1	EA
8	797910	CS .312-18x1.50FLT SH ZY	2	EA
9	601779	IDLER GUIDE, UHMW	1	EA
10	794446	CS .625-11X1.500HXG5	1	EA
11	603057	DUST SHIELD W/OFFSET	4	EA
12	602672	PULLEY, V-IDLER HBB 5.0"	2	EA
13	373191	CHAIN, 21 LINK	2	EA
14	781567	NT .500-13NLG5	1	EA
15	767962	FW .531 x 1.063 x .175	13	EA
16	770867	BUSHING, PLAS .750x1(FS)	2	EA
17	109549	BUSHING, IDLER PIVOT	1	EA
18	781302	IDLER SPRING	2	EA
19	704759	FW 0.500X1.250X0.075	1	EA
20	784199	CS .312-18X1.250 FLT SH	4	EA
21	016972	NT .625-11 HX G5 ZNYC	2	EA
22	602963	DUST SHIELD, IDLER LG	1	EA
23	602838	IDLER, 8.0" RIVETED	1	EA
24	114105	IDLER SLIDE W/A	1	EA
25	601619	IDLER SLIDE UHMW RT & LT	2	EA
26	016642	CS .625-11X2.000HXG5	3	EA
27	796714	PULLEY, 6" HB IDLER RD	2	EA
28	768523	FW 0.343SAE	6	EA
29	058776	NT .312-18NLG5	6	EA
30	782474	CW .678 X 2.250 X .187	1	EA
31	783738	CS .625-11X3.000HXG5	1	EA
32	705954	CS .500-13X1.250HSG5	1	EA



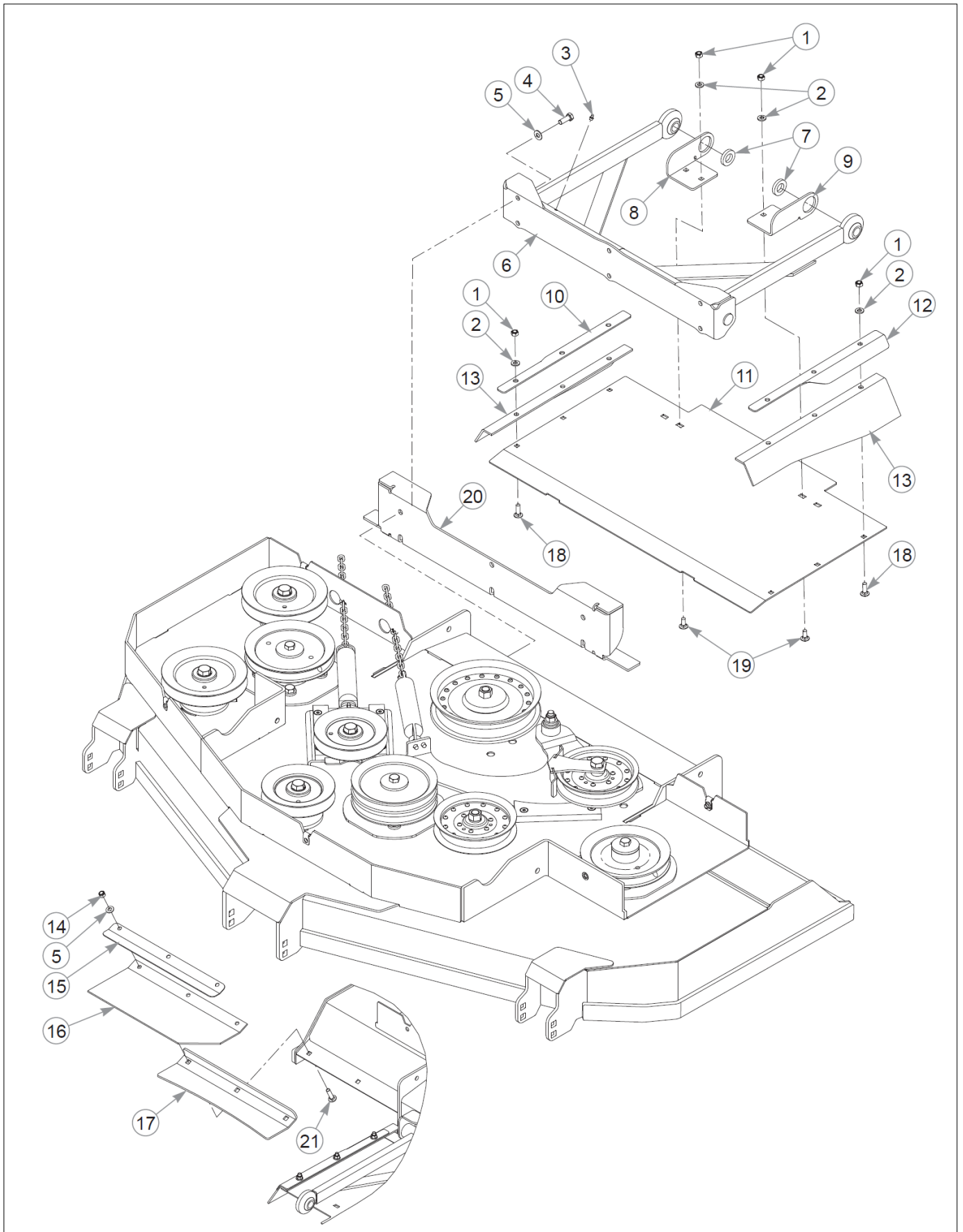
Elemento	Parte n.	Nome	Q.ta	Udm
33	017616	CS .500-13X1.750HXG5	2	EA
34	752386	CW .515X 2.25X .204 BLK	3	EA
35	602745	PULLEY, DRIVE 7.00 EFF	2	EA
36	770388	PULLEY, (770388U) PTED	1	EA
37	212472	KEY 1/4 SQ X 1.00 LG(FS)	3	EA
38	045765	FW 1.030X1.500X0.134	2	EA
39	016527	CS .500-13X1.000HXG5	12	EA
40	114108	SPACER 3/8" THICK	1	EA
41	604256	SPINDLE ASSY, DUCTILE	1	EA
<p>Commenti per num parte 604256</p> <p>brian on Apr 15, 2015 Spindle has no service parts available. Replace complete spindle assembly.</p>				
42	604255	SPINDLE ASSY, DUCTILE	2	EA
<p>Commenti per num parte 604255</p> <p>brian on Apr 15, 2015 Spindle has no service parts available. Replace complete spindle assembly.</p>				

Comments for Page: Rear Discharge Deck Pulleys & Spindles (Multi-Page)

jmumford@excelii.com on Feb 16, 2017

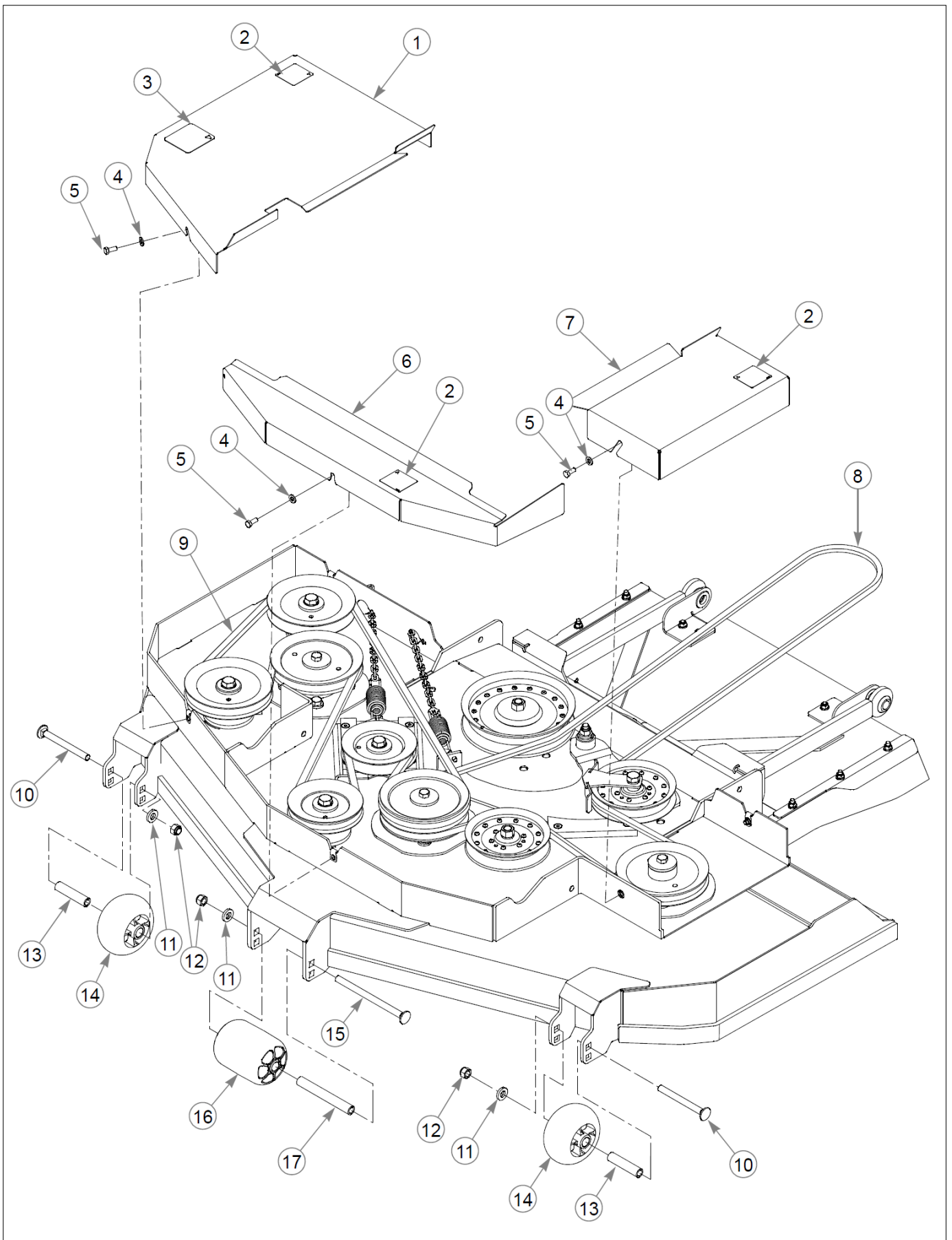
1. Torque to 88–102 N•m.

Deck

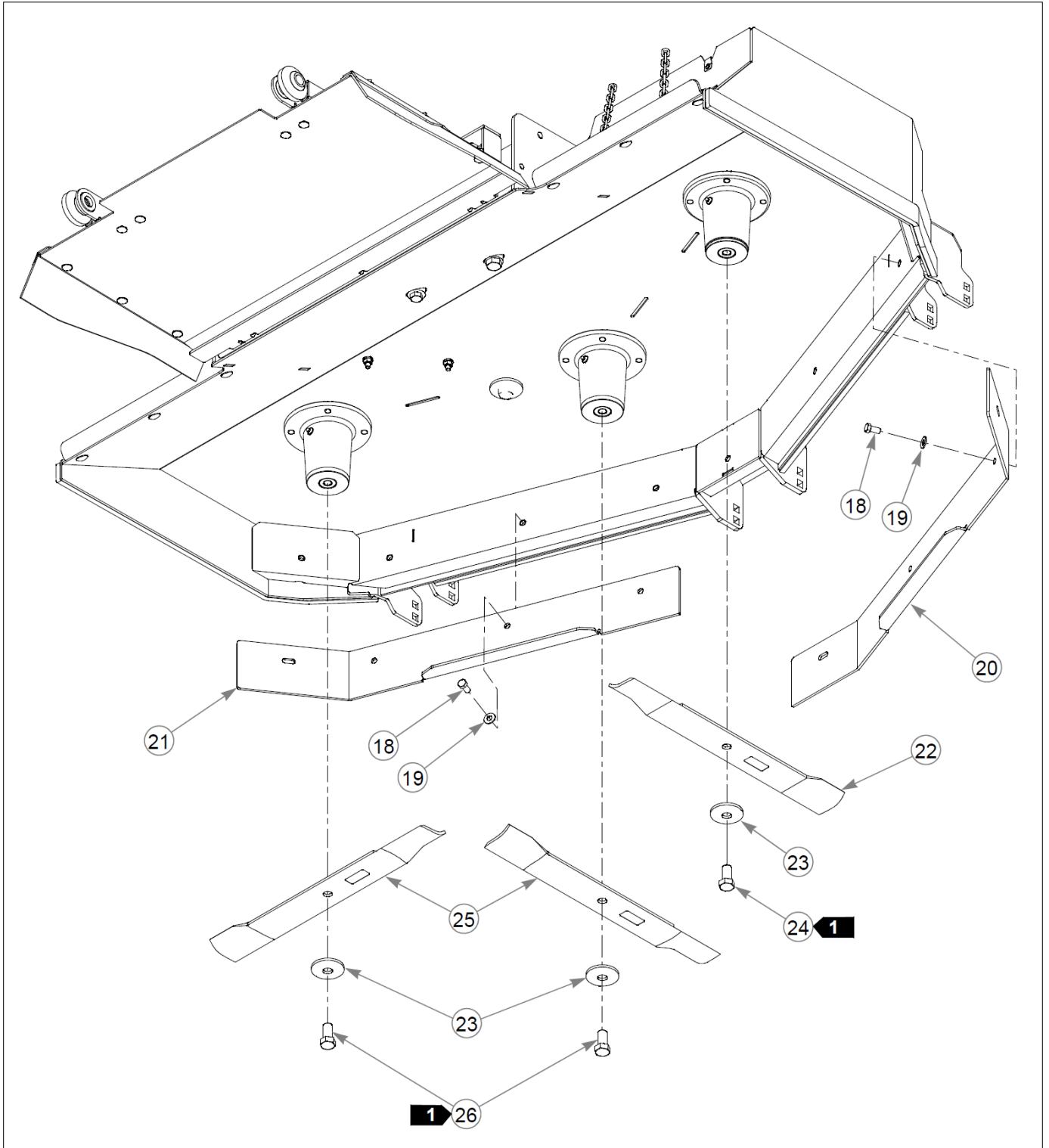


Elemento	Parte n.	Nome	Q.ta	Udm
1	058776	NT .312-18NLG5	10	EA
2	768523	FW 0.343SAE	10	EA
3	015495	GREASE FITTING STRAIGHT	2	EA
4	036244	CS .375-16X1.000HXG5	6	EA
5	767954	FW 0.379 x 0.813 x 0.063	12	EA
6	113340	PUSHER W/A, HZ/SZ	1	EA
7	778399	FW .781X 1.375X.250 ZNY	2	EA
8	109482	CHUTE BRACKET	1	EA
9	109483	CHUTE BRACKET	1	EA
10	109487	CLAMP ANGLE RS	1	EA
11	114440	SHIELD, DUST 60" RD SZ	1	EA
12	109486	CLAMP ANGLE LS	1	EA
13	601483	SIDE FLAP, RUBBER	2	EA
14	086660	NT .375-16NLG8	6	EA
15	106716	ANGLE, DISCHARGE CHUTE	2	EA
16	600254	FLAP, RD REAR	2	EA
17	351676	ANGLE, DECK STIFFENER	2	EA
18	037887	CB .312-18X 1.000 FUL YZ	6	EA
19	016253	CB .312-18X .750 FUL ZN	4	EA
20	114522	STOP, REAR DECK W/A	1	EA
21	710194	CB .375-16X 1.50 STD G5	6	EA

Deck

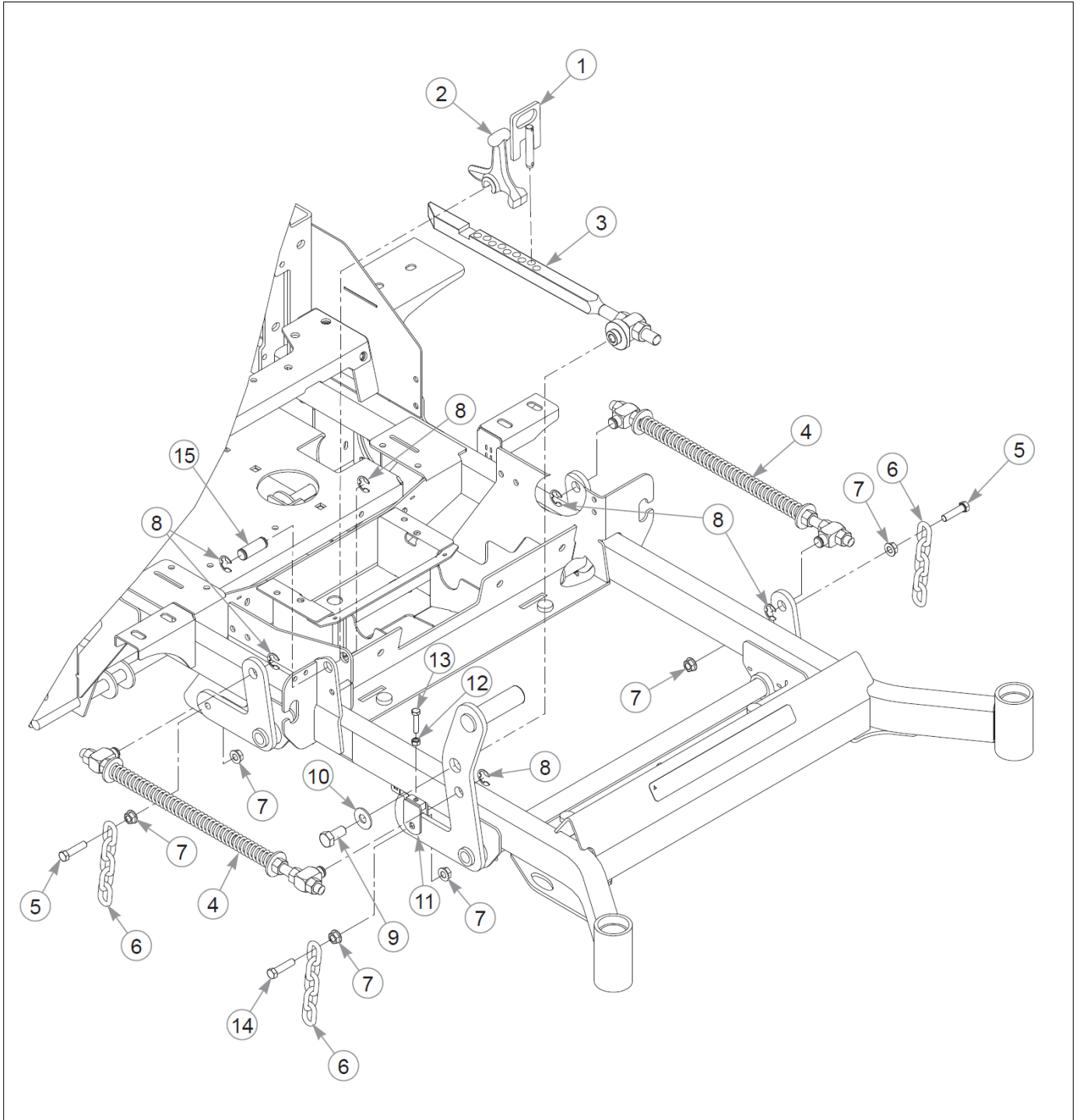


Elemento	Parte n.	Nome	Q.ta	Udm
1	553293	SERVICE GUARD, RH	1	EA
2	602562	DECAL, NO SERVICE	3	EA
3	601837	DECAL, DECK DANGERS	1	EA
4	768523	FW 0.343SAE	5	EA
5	034280	CS .312-18X0.750HXG5	5	EA
6	553290	SERVICE GUARD	1	EA
7	553289	SERVICE GUARD, LH	1	EA
8	777185	BELT, B 145.5" E	1	EA
9	027284	BELT, B 138" EL	1	EA
10	603049	CB .500-13 X 5.00 ZNYC	2	EA
11	767962	FW .531 x 1.063 x .175	3	EA
12	781567	NT .500-13NLG5	3	EA
13	602345	SPACER, ANTI-SCALP 3.22	2	EA
14	602263	WHEEL, ANTI-SCALP	2	EA
15	602338	CB .50-13 X 7.50 STD ZN	1	EA
16	602341	WHEEL, ANTI-SCALP	1	EA
17	602344	SPACER, ANTI- SCALP 5.73	1	EA
18	055822	CS .375-16X0.750HXG5	8	EA
19	767954	FW 0.379 x 0.813 x 0.063	8	EA
20	114206	BAFFLE, ADJ 60 RD CE RS	1	EA
21	114207	BAFFLE, ADJ 60 RD CE LS	1	EA
22	795633	BLADE, F20.50"-L-F-CCW	1	EA
Not Shown	601928	BLADE, 20.5"GAT-F-CCW	1	EA
Not Shown	604163	BLADE, 20.50-MUL-F-CCW	1	EA
23	782474	CW .678 X 2.250 X .187	3	EA
24	604383	CS .625-11X1.250 G5 LHT	1	EA
25	600901	BLADE, F20.50"-L-F-CW	2	EA
Not Shown	794230	BLADE,20.50"GAT-F-CW	2	EA
Not Shown	602698	BLADE, F20.50-MUL-F-CW	2	EA

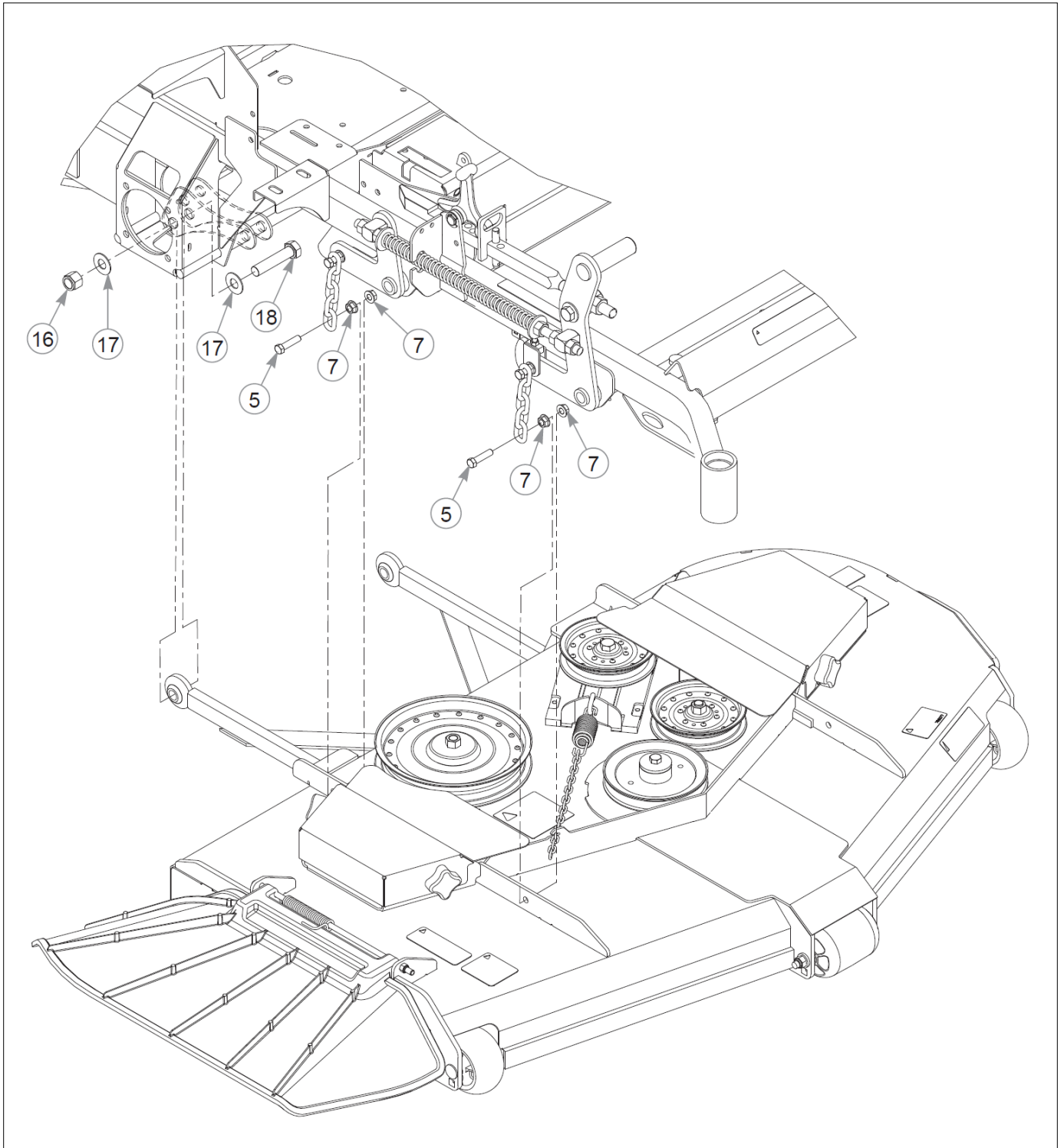


Elemento	Parte n.	Nome	Q.ta	Udm
26	781872	CS .625-11X1.250HXG5	2	EA

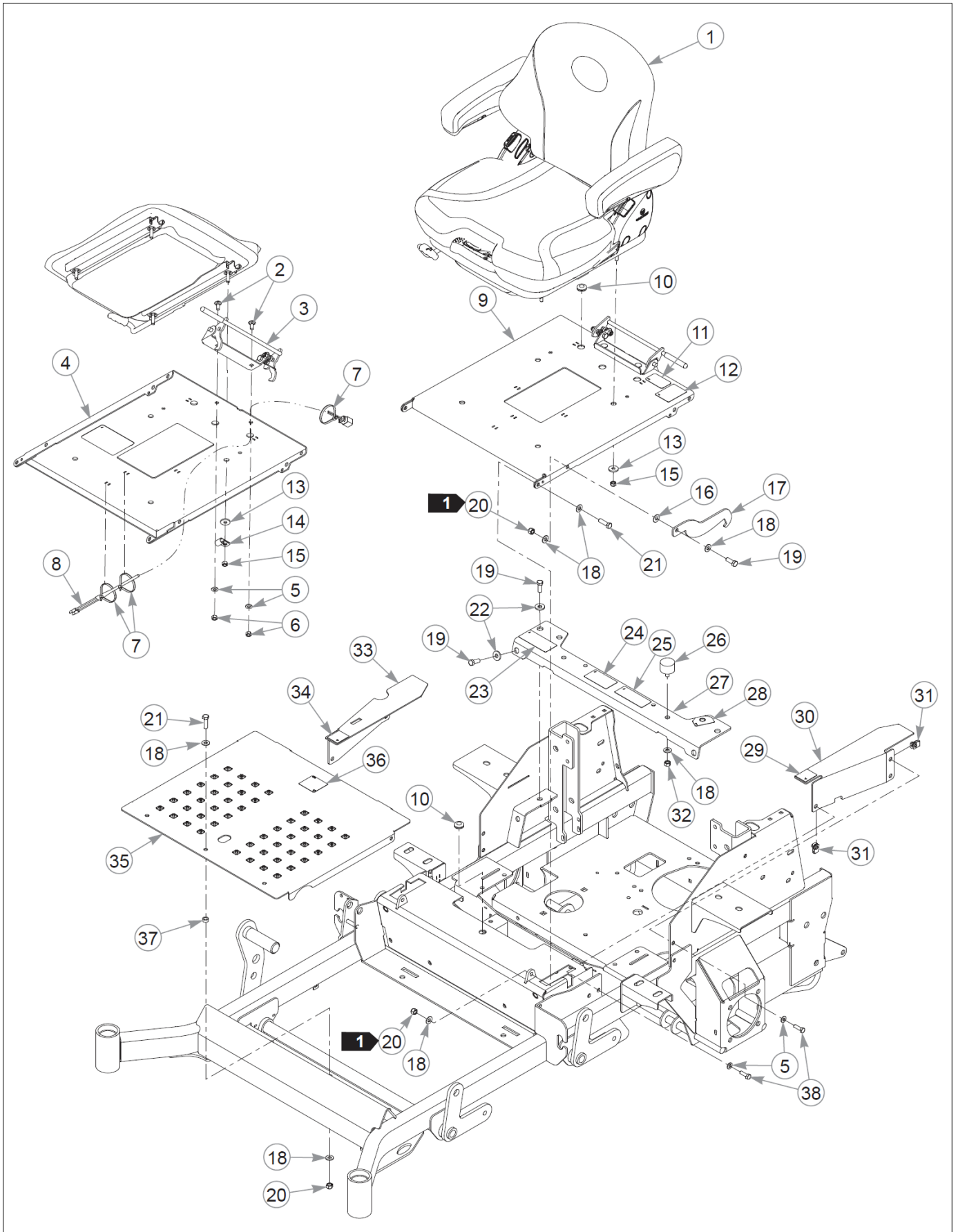
Deck



Elemento	Parte n.	Nome	Q.ta	Udm
1	600437	PIN, DECK HEIGHT W/A	1	EA
2	348318	HANDLE, STOP	1	EA
3	602898	DECK LIFT	1	EA
4	603184	DECK LIFT SPRING S/A	2	EA
5	055749	CS .437-14X1.750HXG5	7	EA
6	348391	CHAIN, DECK LIFT	4	EA
7	704643	NT .437-14FLKG5	16	EA
8	781294	CLIP E, 1.00 X.625X .05	6	EA
9	781872	CS .625-11X1.250HXG5	1	EA
10	704783	FW 0.625X1.500X0.105	1	EA
11	348458	YOKE W/A, DECK LEVELER	1	EA
12	034272	NT .312-18HXG5	1	EA
13	756270	CS .312-18X1.500HXG5	1	EA
14	781831	CS .437-14x1.75 FULTHG5	1	EA
15	781229	CE .750X2.25 X1.75 HEAD	1	EA
16	061101	NT .750-10 HX ZY NL GR B	2	EA
17	025296	FW .760X1.625X0.080	4	EA
18	789115	CS .750-10X3.500HXG5	2	EA



Seat & ROPS



Elemento	Parte n.	Nome	Q.ta	Udm
1	605698	SEAT, GRAMMER WO ISO	1	EA
2	016253	CB .312-18X .750 FUL ZN	2	EA
3	605907	LATCH ASSEMBLY	1	EA
4	601815	DECAL, BATTERY WARNINGS	1	EA
5	768523	FW 0.343SAE	7	EA
6	034272	NT .312-18HXG5	2	EA
7	000331	WIRE TIE, SMALL/SHORT	3	EA
8	604439	PIGTAIL, SEAT SWITCH	1	EA
9	550815	SEAT PAN, SERVICE	1	EA
10	080358	GM .50X1.00X.75X.12	2	EA
11	605688	DECAL, LEVEL FUEL FILL	1	EA
12	785188	DECAL, Z ARMREST WARNIN	1	EA
13	712927	FW 0.344X1.000X0.120HD	4	EA
14	000398	CLAMP	1	EA
15	058776	NT .312-18NLG5	4	EA
16	724716	WASHER, FIBER (FS)	2	EA
17	350421	SEAT PAN STOP (PLATED)	2	EA
18	767954	FW 0.379 x 0.813 x 0.063	12	EA
19	036244	CS .375-16X1.000HXG5	6	EA
20	086660	NT .375-16NLG8	5	EA
21	052860	CS .375-16X1.250 HX G5	3	EA
22	712919	FW 0.406X1.000X0.120HD	4	EA
23	601967	DECAL, ENGINE COMPART	1	EA
24	601968	DECAL, HYDRAULIC PRESS	1	EA
25	779280	DECAL, HOT & HYD OIL	1	EA
26	601650	VIBRATION MOUNT 70DURO	2	EA
27	550816	SEAT SUPPORT, SERVICE	1	EA
28	791848	DECAL FUEL INDICATOR- M	1	EA
29	785139	DECAL, STEERING L.S.	1	EA
30	550823	FRAME COVER LS, SERVICE	1	EA
31	601069	CN .312-18x.200 MAX THK	5	EA
32	054502	NT .375-16HXG5	2	EA

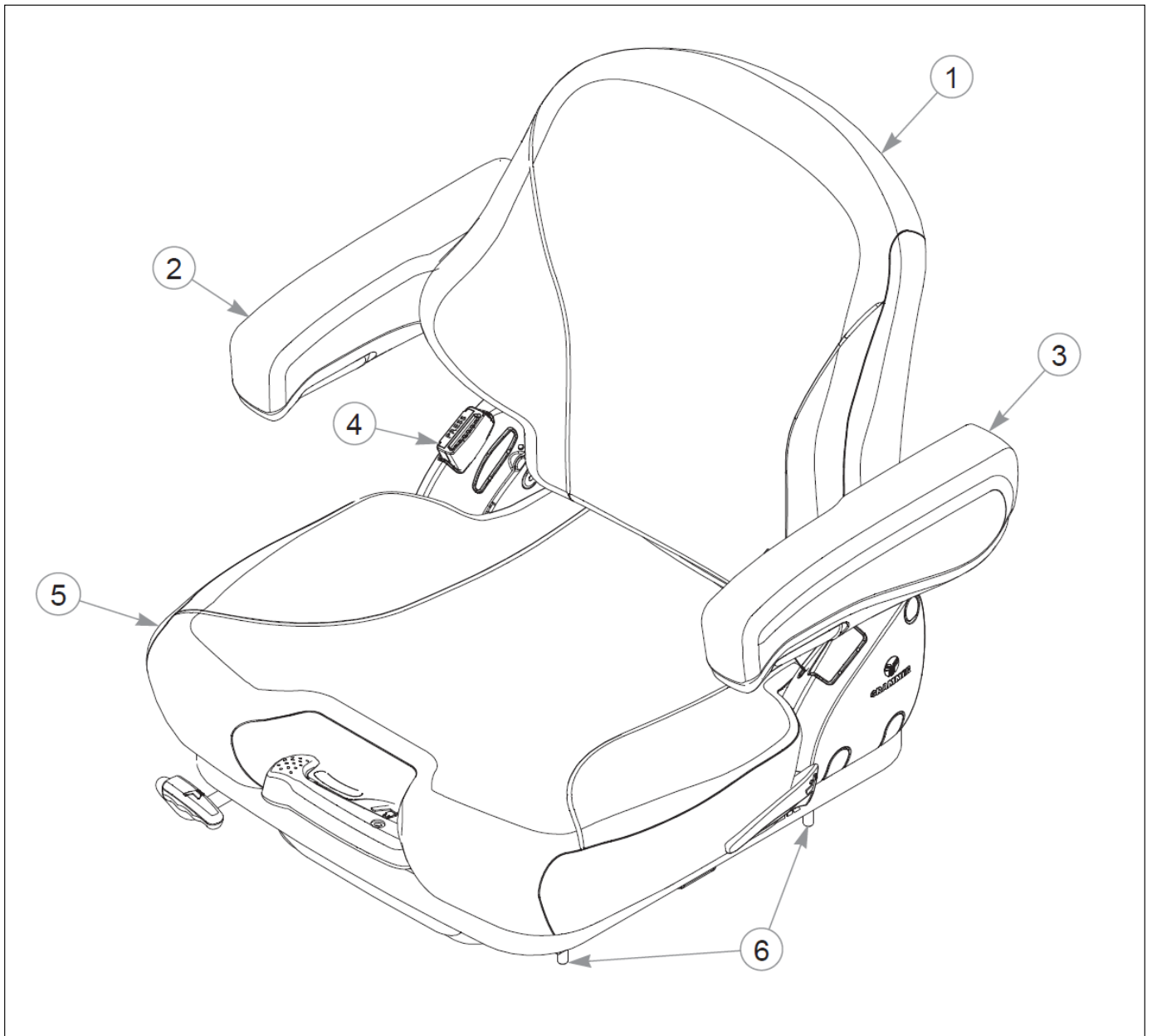
Elemento	Parte n.	Nome	Q.ta	Udm
33	550824	FRAME COVER RS, SERVICE	1	EA
34	785220	DECAL, STEERING R.S.	1	EA
35	553779	SVC, FLOOR PAN	1	EA
36	602562	DECAL, NO SERVICE	1	EA
37	118900	SPACER, DECK LIFT LINK	1	EA
38	036236	CS .312-18X1.000HXG5	5	EA

Comments for Page: Seat

jmumford@excelii.com on Feb 16, 2017

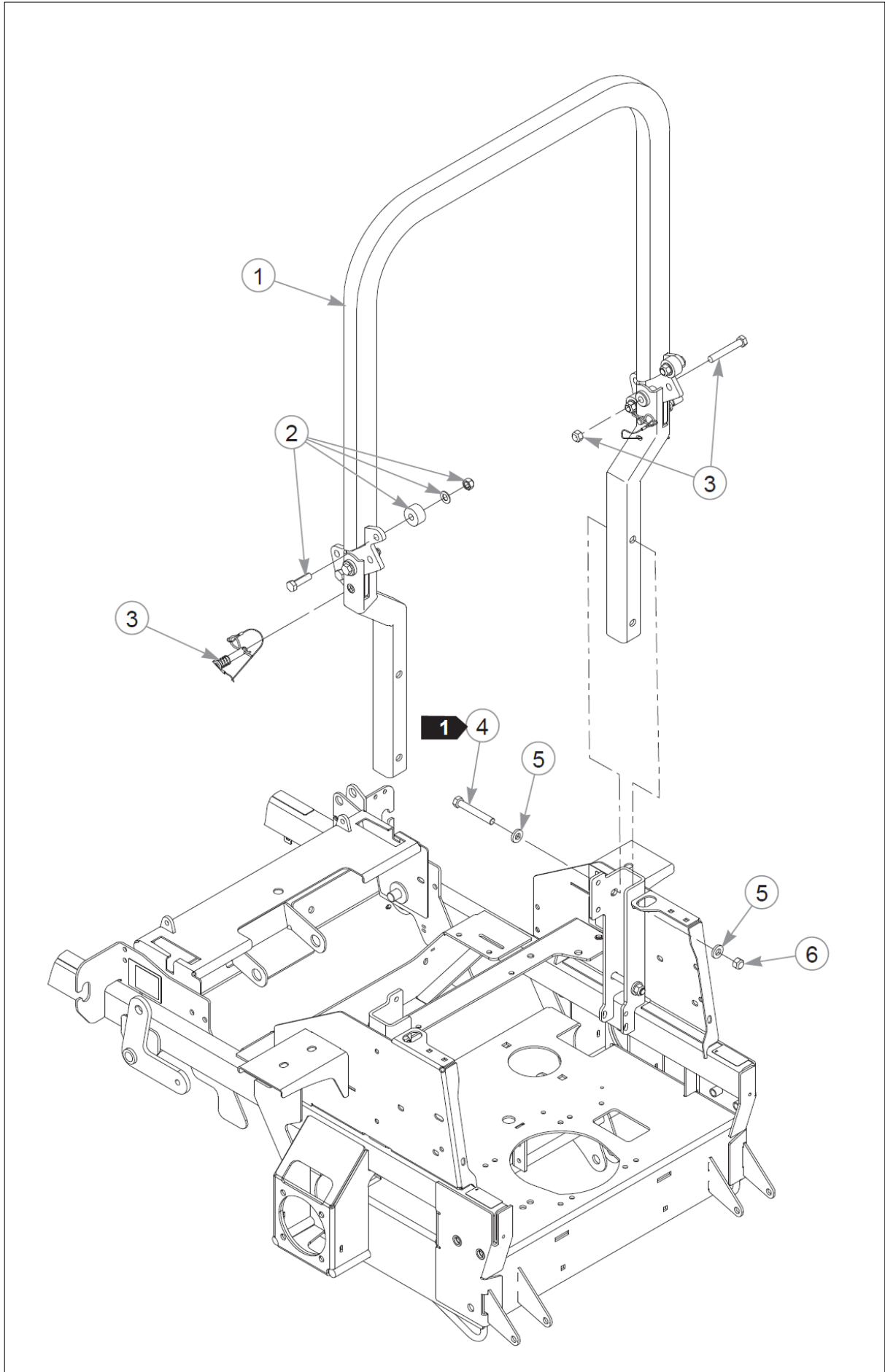
1. Do not torque; the seat pan and seat pan stop must pivot freely.
2. The seat pan includes decals and installation kit.
3. The seat support, floor pan and frame covers include decals.

Seat & ROPS



Elemento	Parte n.	Nome	Q.ta	Udm
Not Shown	605698	SEAT, GRAMMER WO ISO	1	EA
1	604940	BACK CUSHION	1	EA
2	604938	ARMREST, RIGHT	1	EA
3	604937	ARMREST, LEFT	1	EA
4	604941	SEAT BELT	1	EA
5	604939	SEAT CUSHION	1	EA
6	119287	KIT, SLIDE	1	EA
Not Shown	604973	SWITCH, SEAT	1	EA
Not Shown	119288	KIT, ISOLATOR	1	EA

Seat & ROPS



Elemento	Parte n.	Nome	Q.ta	Udm
1	605639	ROPS, COMPLETE	1	EA
2	605731	KIT, POLY STOP (SET)	2	EA
3	605638	ROPS HARDWARE KIT	1	EA
4	061812	CS .500-13X3.500HXG5	4	EA
5	767962	FW .531 x 1.063 x .175	8	EA
6	023317	NT .500-13UNTG8	4	EA

Comments for Page: ROPS

jmumford@excelii.com on Feb 16, 2017

1. Torque to 99 N•m.

Appendice A	Indice pagine	Wheel & Tire	5-1
Battery	7-1		
Brake	4-12		
Deck Lift & Mounting Hardware (Multi-Page)	8-8		
Drive Wheel Breakdown	5-3		
Engine (Multi-Page)	6-1		
Engine Guard	3-2		
Engine Service Parts	6-2		
Frame	3-1		
Front Wheel Assembly	5-2		
Fuel System	6-3		
Fuel Tank Service Parts	6-4		
General Information	1		
Hydraulic Reservoir	4-2		
Hydraulic System	4-1		
Instrument Panel	7-2		
LS Pump Assembly	4-4		
LS Steering Box Assembly	4-10		
Motor Assembly	4-3		
Oil Cooler Mount	4-6		
Pump Drive	4-7		
ROPS	9-3		
RS Pump Assembly	4-5		
RS Steering Box Assembly	4-11		
Rear Discharge Deck (Multi-Page)	8-7		
Rear Discharge Deck Pulleys & Spindles (Multi-Page)	8-5		
Rear Discharge Dust Shield	8-6		
Rear Discharge Service Deck	8-4		
Seat	9-1		
Seat Service Parts, Grammer	9-2		
Side Discharge Deck	8-3		
Side Discharge Deck Pulleys & Spindles	8-2		
Side Discharge Service Deck	8-1		
Steering	4-8		
Steering Assembly (Multi-Page)	4-9		

Appendice BIndice parti	043570	6-1, 6-3, 7-2
000323	045088	6-1, 6-3
000331	045765	6-1, 6-3, 7-1, 7-2, 9-1
000398	045898	9-1
000430	047456	4-6, 7-2
005116	048934	4-12
008193	050823	4-1, 5-1
008581	051151	4-4, 4-5
015495	052514	3-1, 4-7, 8-2, 8-6
015818	052860	6-1, 6-3
016253	053199	4-6, 8-6, 9-1
016527	054502	8-5
016642	055749	8-5
016832	055822	4-8, 6-1, 6-3
016899	055947	3-2
016972	056069	8-2, 8-5
017616	056077	8-5
019521	058776	5-2, 5-3
023317	059832	4-1, 9-3
023655	061077	4-8, 4-9, 4-12
025007	061101	4-7
025015	061812	8-5
025296	063198	5-2, 8-8
025395	064014	3-2, 8-3
027284	064337	8-7
028118	065516	8-2, 8-5
028274	068239	4-1
029876	068478	4-8
032763	068551	4-2
032771	079210	4-2
034272	080358	4-6, 4-7, 4-9, 4-12, 6-1, 7-2, 8-8, 9-1
034280	083196	7-2, 8-3, 8-7
036236	086660	4-7, 6-1, 6-3, 9-1
036244	106716	4-1, 4-6, 4-8, 8-6, 9-1
037887	109401	4-12, 8-6
039677	109482	5-2
041475	109483	5-2

109486	8-6	120231	6-1
109487	8-6	121403	3-2
109549	8-5	123687-3	4-6
109839	4-8	124385-1	3-2
111309	4-12	210146	4-7
112895	4-9	212076	4-7
112898	4-11	212472	8-2, 8-5
112899	4-10	344267	4-7
112906	4-12	348318	8-8
112907	4-12	348391	8-8
113007	4-9	348458	8-8
113088	8-5	348862	4-10, 4-11
113340	8-2, 8-6	350397	4-12
113347	4-7	350421	9-1
113563	8-3	350884	8-2
113575	4-10, 4-11	351676	8-6
113621	5-2	373191	8-2, 8-5
113636	8-3	377994	3-2
113637	8-3	387035	5-1
113676	7-1	550739	8-1
114052	7-2	550815	9-1
114105	8-5	550816	9-1
114108	8-5	550823	9-1
114133	8-5	550824	9-1
114206	8-7	550935	8-4
114207	8-7	553267	8-3
114440	8-6	553268	8-3
114522	8-6	553289	8-7
114578	6-1	553290	8-7
115536	4-7	553293	8-7
115998	6-3	553360	3-1
115999	6-3	553453	7-2
116890	5-2	553457	3-2
117196	4-6	553779	9-1
118900	9-1	600254	8-6
119287	9-2	600437	8-8
119288	9-2	600901	8-7

600961	3-1	602407	3-1
601001	4-2, 4-4	602432	8-3
601016	4-7	602435	8-3
601047	7-2	602562	8-3, 8-7, 9-1
601069	7-1, 8-1, 8-4, 9-1	602580	6-1
601087	4-8	602672	8-5
601095	7-2	602680	4-7
601098	7-2	602698	8-7
601216	6-1	602743	8-2
601238	5-1	602745	8-2, 8-5
601356	4-1	602754	4-7
601357	4-6	602768X	4-2
601375	5-1	602771	8-3
601483	8-6	602817	8-3
601486	4-7	602821	8-2, 8-5
601523	4-2, 4-5	602827	6-1
601538	4-6	602838	8-5
601571	4-1	602879	4-7
601619	8-5	602880	4-7
601650	9-1	602891	8-3
601779	8-5	602898	8-8
601815	9-1	602935	8-2, 8-5
601837	8-1, 8-4, 8-7	602936	8-2
601892	8-1, 8-4	602963	8-2, 8-5
601928	8-7	603012	6-1
601967	9-1	603022	8-2
601968	9-1	603023	8-2
601993	3-1	603045	4-2
602041	3-1	603049	8-2, 8-7
602256	4-1	603057	8-5
602263	5-1, 8-2, 8-7	603078	4-9
602338	8-2, 8-7	603092	8-1
602341	8-2, 8-7	603112	6-1
602344	8-2, 8-7	603113	8-2
602345	5-1, 8-2, 8-7	603137	6-1
602383	4-12	603138	6-2
602384	4-12	603153	5-1

603161	6-4	604439	9-1
603164	5-1	604461	4-12
603184	8-8	604494	8-3
603256	8-5	604831	4-4, 4-5
603326	6-1, 6-3	604843	5-2
603336K	4-7	604898	5-2
603349	8-4	604937	9-2
603391	8-4	604938	9-2
603523	7-2	604939	9-2
603524	6-1	604940	9-2
603734	4-7	604941	9-2
603783	4-7	604973	9-2
603807	6-3	605101	6-3
603819	4-2	605102	6-3
603847	7-2	605155	6-1
603888	6-4	605156	6-4
604029	6-1	605638	9-3
604163	8-7	605639	9-3
604200	6-4	605648	6-4
604208	4-7	605670	4-8
604221	8-1	605688	9-1
604241	7-2	605698	9-1, 9-2
604255	8-2, 8-5	605731	9-3
604256	8-5	605759	4-4
604281	6-3	605760	4-5
604287	6-4	605907	9-1
604295	4-9	606068	7-2
604296	4-9	606075	7-2
604323	6-3	606088	4-2
604332	4-5	606089	4-3
604333	4-5	606100	4-4
604334	4-4	606101	4-4
604335	4-4	606102	4-4
604352	3-2	606124	4-12
604373	7-2	606531	6-2
604383	8-7	606535	6-2
604430	7-2	700484	4-2

704163	4-6	781229	8-8
704643	8-8	781245	5-3
704759	8-5	781260	4-8
704783	8-8	781286	4-9
704932	7-2	781294	8-8
705178	4-10, 4-11	781302	8-2, 8-5
705954	3-2, 5-1, 8-2, 8-5	781419	8-1
706531	4-6	781427CE	3-1
710194	8-6	781526	4-3
712257	7-2	781542	4-4, 4-5
712919	6-3, 9-1	781567	4-7, 8-2, 8-5, 8-7
712927	4-9, 9-1	781583	4-12
720516	6-1	781658	4-2
722199	4-9	781831	8-8
724716	9-1	781872	8-3, 8-7, 8-8
744854	4-4, 4-5	781880	3-1
745059	6-3	781922	4-8, 4-9
747832	5-2	782474	8-2, 8-3, 8-5, 8-7
748806	4-3	782771	5-2
752386	8-2, 8-5	783738	8-2, 8-5
756270	8-8	784199	8-5
763318	6-2	784223	5-1
765339	4-12	784439	4-9
767954	4-1, 4-6, 4-7, 4-8, 4-10, 4-11, 4-12, 6-1, 8-2, 8-3, 8-6, 8-7, 9-1	784983	4-4, 4-5
767962	3-2, 4-1, 4-7, 5-1, 8-2, 8-5, 8-7, 9-3	785048	4-7
768515	4-4, 4-5, 4-6, 6-3, 7-2	785139	9-1
768523	4-6, 4-7, 4-8, 4-9, 4-12, 6-1, 6-3, 7-1, 7-2, 8-3, 8-5, 8-6, 8-7, 9-1	785188	9-1
770388	8-5	785220	9-1
770867	8-5	785261	6-2
776310	3-1	785279	6-2
776476	7-2	785808	7-2
777185	8-7	786277	8-1, 8-4
778399	8-6	788943	6-1
779280	9-1	789115	8-8
781153	4-8, 4-9, 4-10, 4-11	789776CE	3-1
		791251	4-7
		791848	9-1

792887	8-4
793794	8-3
794214	8-3
794230	8-3, 8-7
794446	8-2, 8-5
794685	8-3
795351	4-8
795633	8-7
796250	5-3
796524	6-1
796714	8-5
797738	4-9, 4-10, 4-11
797910	8-5
798603	5-1
808493	3-1